

TACOVENT AIRSCOOP R

AIR SEPARATOR WITH I-RINGS



Continuous air separation using I-Rings and automatic ventilation and aeration

DESCRIPTION

The TacoVent AirScoop R is installed in heating and solar systems and provides for permanent air separation and ventilation in these systems. The installation of air separators prevents disruptive system noises, reduced heat dissipation to the heating surfaces and damage to the installed circulating pumps caused by running dry. Properly ventilated heating and solar systems are moreover exposed to less corrosion owing to the low oxygen content in the water, which increases the operating life of the system.

INSTALLATION POSITION

The TacoVent AirScoop R is adapted to the installation position. The RV variant is designed for vertical installation and the RH variant for horizontal installation. The indicated direction of flow must be ensured with both variants.

ADVANTAGES

- High separation performance
- Robust, nonsensitive design
- Fault and maintenance-free design
- Variants for horizontal or vertical installation

OPERATION

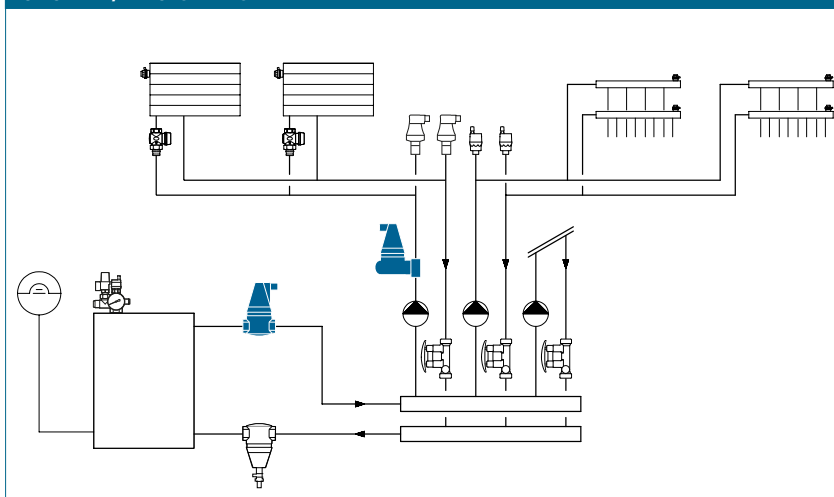
The micro-bubbles loosened in the water adhere to the contact surfaces of the integrated I-Rings and merge to form larger bubbles. The larger bubbles separate and are then eliminated via the installed float ventilator. The I-Rings are integrated in the TacoVent AirScoop R such that the entire flow comes in contact with the adhesion surface of the I-Rings. This principle results in sustained and permanent ventilation of water-based systems and therefore more economical and more reliable operation.

BUILDING CATEGORIES

For pipe installations in heating and solar systems:

- Apartment blocks, housing estates, multiple dwelling units
- Residential care facilities and hospitals
- Administration and service buildings
- Hotels and restaurants
- School buildings and sports halls / sports facilities
- Commercial and industrial buildings

SYSTEM/BASIC DIAGRAM



TACOVENT AIRSCOOP R | AIR SEPARATOR

TACOVENT AIRSCOOP RH

TYPE OVERVIEW

TacoVent AirScoop RH | Air Separator (Horizontal), Thread Connection

Order no.	Article description	T _{0 max}	DN	Connections	k _v (m ³ /h)	Weight **	Water content
243.6001.000	TacoVent AirScoop RH 22	120 °C	20	∅ 22 mm	11.2	1.4 kg	0.22 l
243.6002.000	TacoVent AirScoop RH ¾"	120 °C	20	Rp ¾"	11.2	1.4 kg	0.22 l
243.6003.000	TacoVent AirScoop RH 1"	120 °C	25	Rp 1"	20.0	1.8 kg	0.35 l
243.6004.000	TacoVent AirScoop RH 1 ¼"	120 °C	32	Rp 1 ¼"	31.4	2.4 kg	0.48 l
243.6005.000	TacoVent AirScoop RH 1 ½"	120 °C	40	Rp 1 ½"	40.9	2.5 kg	0.48 l
243.6003.380*	TacoVent AirScoop RH Plus 1"	120 °C	25	Rp 1"	20.0	1.8 kg	0.35 l
243.6004.380*	TacoVent AirScoop RH Plus 1 ¼"	120 °C	32	Rp 1 ¼"	31.4	2.4 kg	0.48 l
243.6005.380*	TacoVent AirScoop RH Plus 1 ½"	120 °C	40	Rp 1 ½"	40.9	2.5 kg	0.48 l
243.7001.380*	TacoVent AirScoop Solar RH Plus 22	200 °C	20	∅ 22 mm	11.2	1.4 kg	0.22 l
243.7002.380*	TacoVent AirScoop Solar RH Plus ¾"	200 °C	20	Rp ¾"	11.2	1.4 kg	0.22 l
243.7003.380*	TacoVent AirScoop Solar RH Plus 1"	200 °C	25	Rp 1"	20.0	1.8 kg	0.35 l

* Including insulation box

** Weight without insulation box

SPECIFICATION TEXT

See www.taconova.com

TECHNICAL DATA

General

- Operating temperature
 - Standard version: T_{0 max}: 120 °C
 - Solar version: T_{0 max}: 200 °C
- Operating pressure P_{0 max}: 10 bar

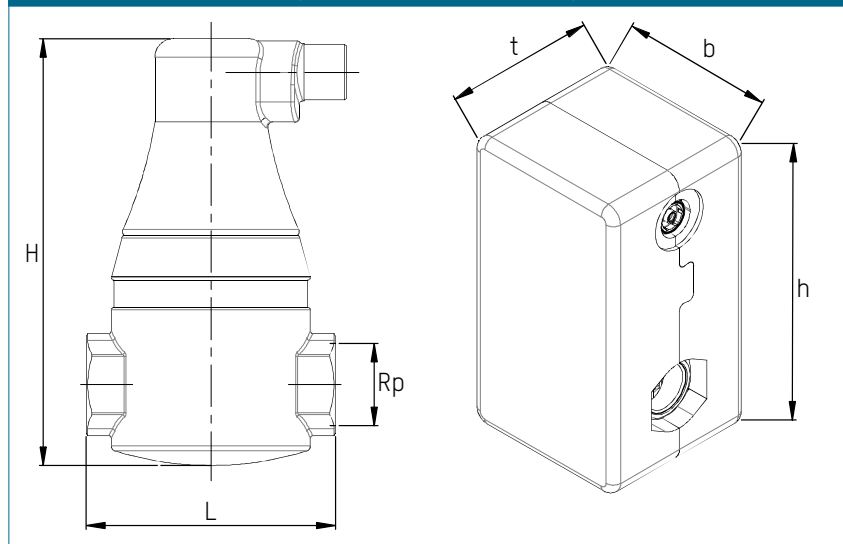
Material

- Brass and plastic

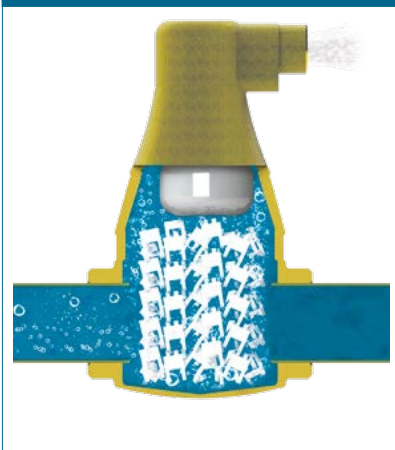
Fluids

- Heating water
(VDI 2035; SWKI BT 102-01; ÖNORM H 5195-1)
- Solar version suitable for water mixtures with commonly used anti-corrosion and anti-freeze additives up to 50%

DIMENSIONAL DRAWING (PRODUCT / INSULATION)



OPERATING PRINCIPLE



MEASUREMENT TABLE

TacoVent AirScoop RH | Air Separator (Horizontal)

Order no.	H (mm)	L (mm)	h (mm)	b (mm)	t (mm)	∅ max.
243.6001.000	151	118 *				71
243.6002.000	151	88				71
243.6003.000	171.5	100				80
243.6004.000	192	114				87
243.6005.000	192	114				87
243.6003.380	171.5	100	206.5	117	110	80
243.6004.380	192	114	226.5	121	116	87
243.6005.380	192	114	226.5	121	116	87
243.7001.380	151	118 *	188	113	102	71
243.7002.380	151	88	188	113	102	71
243.7003.380	171.5	100	206.5	117	110	80

* including screw connection

TACOVENT AIRSCOOP R | AIR SEPARATOR

TACOVENT AIRSCOOP RV

TYPE OVERVIEW

TacoVent AirScoop RV | Air Separator (Vertical), Thread Connection

Order no.	Article description	$T_{0,max}$	DN	Connections	Weight **	Water content
243.6101.000	TacoVent AirScoop RV 22	120 °C	20	∅ 22 mm	1.9 kg	0.4 l
243.6102.000	TacoVent AirScoop RV ¾"	120 °C	20	Rp ¾"	1.9 kg	0.4 l
243.6101.380*	TacoVent AirScoop RV Plus 22	120 °C	20	∅ 22 mm	1.9 kg	0.4 l
243.6102.380*	TacoVent AirScoop RV Plus ¾"	120 °C	20	Rp ¾"	1.9 kg	0.4 l
243.6103.380*	TacoVent AirScoop RV Plus 1"	120 °C	25	Rp 1"	2.95 kg	0.5 l
243.7101.380*	TacoVent AirScoop Solar RV Plus 22	200 °C	20	∅ 22 mm	1.9 kg	0.4 l
243.7102.380*	TacoVent AirScoop Solar RV Plus ¾"	200 °C	20	Rp ¾"	2 kg	0.4 l

* Including insulation box

** Weight without insulation box

SPECIFICATION TEXT

See www.taconova.com

TECHNICAL DATA

General

- Operating temperature
 - Standard version: $T_{0,max}$: 120 °C
 - Solar version: $T_{0,max}$: 200 °C
- Operating pressure $P_{0,max}$: 10 bar

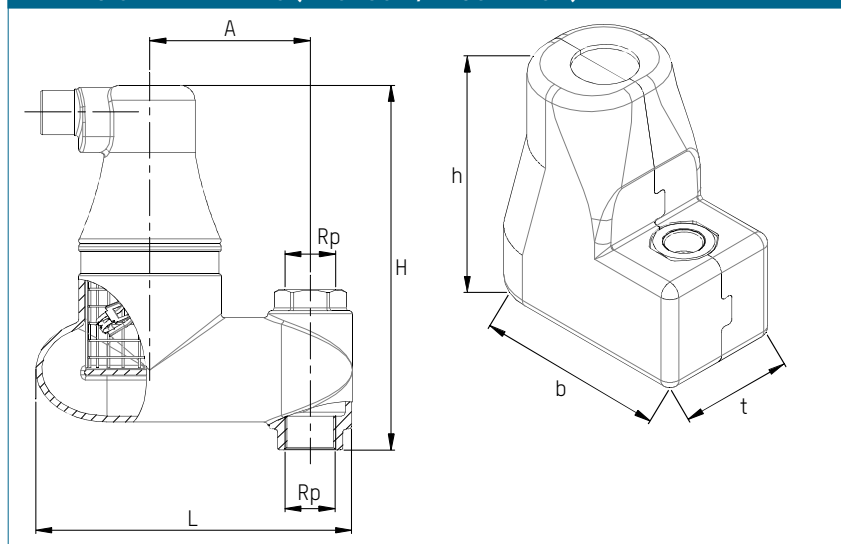
Material

- Brass and plastic

Fluids

- Heating water (VDI 2035; SWKI BT 102-01; ÖNORM H 5195-1)
- Solar version suitable for water mixtures with commonly used anti-corrosion and anti-freeze additives up to 50%

DIMENSIONAL DRAWING (PRODUCT / INSULATION)



OPERATING PRINCIPLE



MEASUREMENT TABLE

TacoVent AirScoop RV | Air Separator (Vertical)

Order no.	H (mm)	L (mm)	A (mm)	h (mm)	b (mm)	t (mm)	∅ max
243.6101.000	191 *	158	80				71
243.6102.000	182	158	80				71
243.6101.380	191 *	158	80	215	189	100	71
243.6102.380	182	158	80	215	189	100	71
243.6103.380	204	184	88	227	215	115	85
243.7101.380	191 *	158	80	215	189	100	71
243.7102.380	182	158	80	215	189	100	71

* including screw connection