

TACOVENT HYVENT

FLOAT AIR VENTILATOR



ADVANTAGES

- Automatic air venting of systems during filling or normal operation
- Automatic aerating at draining
- Design allows dirt-sensitive operation
- Trouble-free replacement of the float vent valve under full system pressure thanks to a check valve
- Time saving installation of the float vent valve with the automatic check valve

Permanent and automatic venting and aerating.

DESCRIPTION

The valve automatically vents and provides air from and to hydraulic systems such as heating, cooling, air conditioning and sanitary equipment on a continual basis.

The combination of an air separator with the aerating and venting greatly increases the efficiency of the venting operation. The automatic self-sealing check valve prevents water from escaping from the mains should the vent valve need to be replaced.

INSTALLATION POSITION

Vertically upwards.

OPERATION

The ventilation valve is closed by means of a float. If air collects in the cup, the float sinks and releases the ventilation valve.

The accumulated air escapes until the (inflowing) water pushes the floater down again and the valve closes.

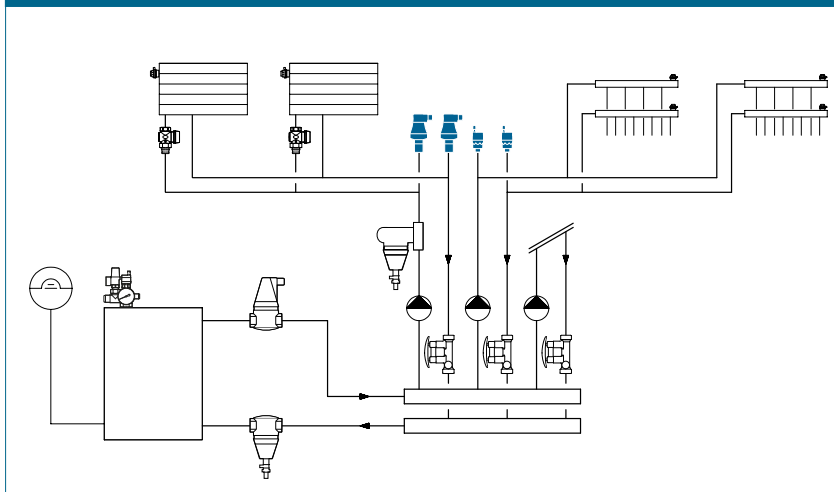
The water once more presses the float against the ventilation valve, and closes the latter. In combination with an upstream TacoVent AirScoop, this guarantees efficient separation of the air-water mixture, and the system is rapidly and automatically vented.

BUILDING CATEGORIES

For pipe installations in drinking water and heating area:

- Apartment blocks, housing estates, multiple dwelling units
- Residential care facilities, hospitals
- Administration and service buildings
- Hotels and restaurants, industrial kitchens
- School buildings and sports facilities
- Commercial and industrial buildings

SYSTEM/BASIC DIAGRAM



TACOVENT HYVENT | FLOAT AIR VENTILATOR

TACOVENT HYVENT DN10

SPECIFICATION TEXT

See www.taconova.com

TECHNICAL DATA

General

- Operating temperature $T_{0 \text{ max}}$: 115 °C
- Operating pressure $P_{0 \text{ max}}$: 10 bar
- Exterior threads:
G 3/8" and G 1/2" as per ISO 228

Material

- Internal parts: Plastic, stainless steel
- Housing: Brass
- Seals: EPDM, NBR, silicone

Fluids

- Heating water
(VDI 2035; SWKI BT 102-01;
ÖNORM H 5195-1)

TYPE OVERVIEW

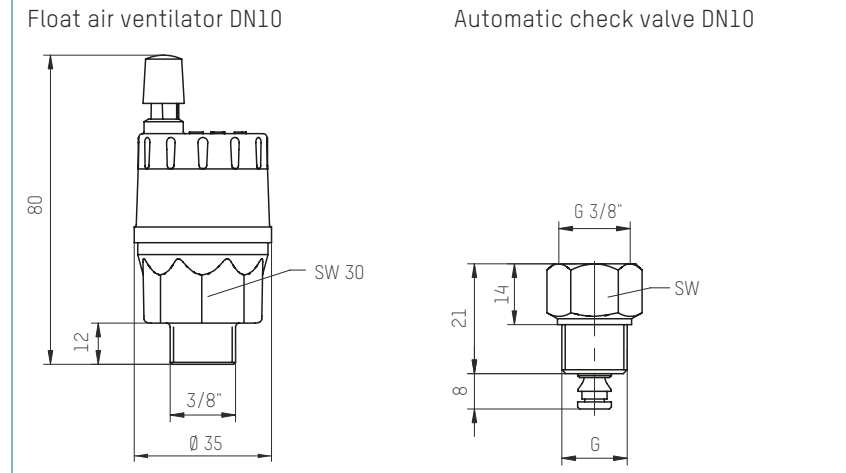
TacoVent HyVent | Float air ventilator DN10

Order no.	G ¹	Automatic check valve
242.5072.001	3/8"	-
242.5072.002	3/8"	3/8"
242.5072.021	3/8"	1/2"

Automatic check valve DN10

Order no.	G ¹ × G ²	To be used with
220.5235.000	3/8" × 3/8"	242.5072.001, 242.5072.002
220.5236.000	3/8" × 1/2"	242.5072.001, 242.5072.021

DIMENSIONAL DRAWING

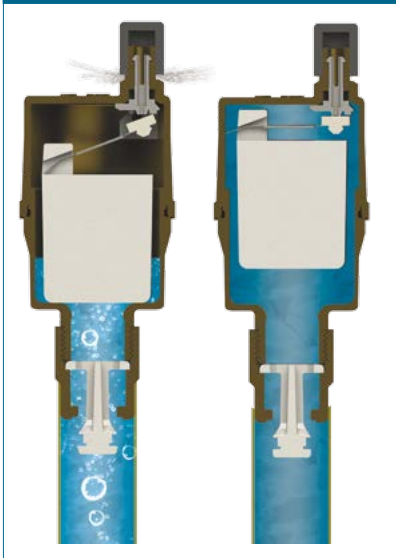


MEASUREMENT TABLE

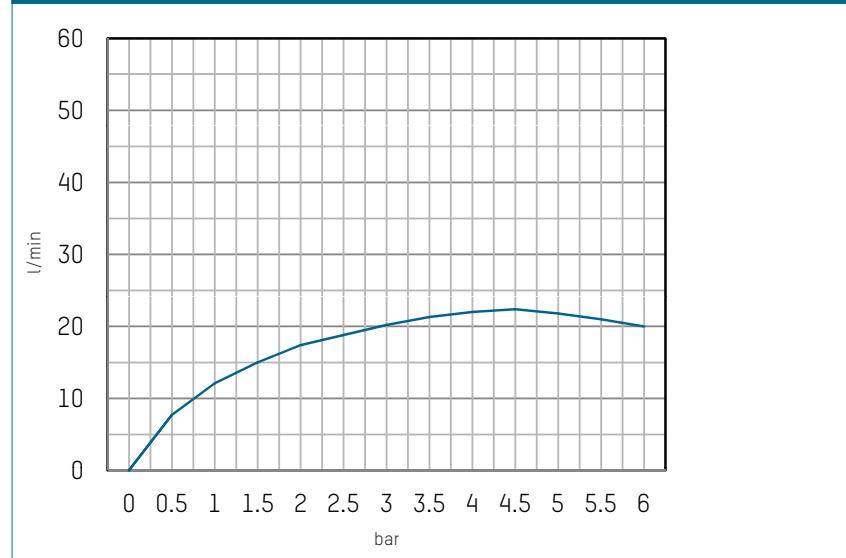
Check valve DN10

Order no.	G	SW
220.5235.000	3/8"	19
220.5236.000	1/2"	21

OPERATION PRINCIPLE



VENTING CAPACITY (DRY VENTING)



TACOVENT HYVENT | FLOAT AIR VENTILATOR

TACOVENT HYVENT DN15

SPECIFICATION TEXT

See www.taconova.com

TECHNICAL DATA

General

- Operating temperature $T_{0\ max}$: 120 °C
- Operating pressure $P_{0\ max}$: 10 bar
- Threads: G 1/2" as per ISO 228

Material

- Internal parts: Plastic, stainless steel
- Housing: Brass
- Seals: EPDM, NBR, silicone

Fluids

- Heating water
(VDI 2035; SWKI BT 102-01;
ÖNORM H 5195-1)

TYPE OVERVIEW

TacoVent HyVent | Float air ventilator DN15

Order no.	G	Automatic check valve
242.5074.000	1/2"	-

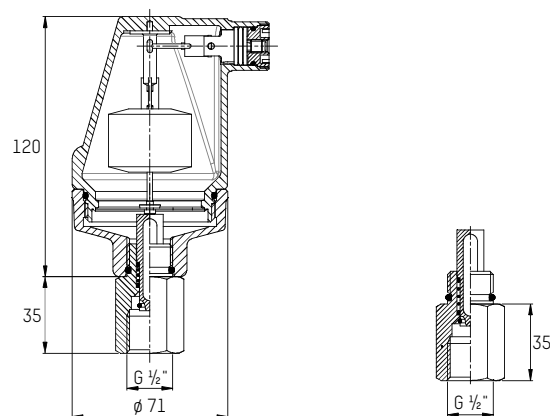
Automatic check valve DN15

Order no.	G × G	To be used with
242.5073.000	1/2"	242.5074.000

DIMENSIONAL DRAWING

Float air ventilator DN15

Automatic check valve DN15



VENTING CAPACITY (DRY VENTING)

