

TACOVENT PURE MAG R

DIRT SEPARATOR WITH I-RINGS



Continuous dirt and magnetite separation

DESCRIPTION

Dirtied system water often leads to premature wear or operational defects of system components in heating systems. These contaminants are largely composed of corrosion particles, magnetite or assembly residues. These residues can be drawn in by the electromagnetic fields of the pumps and control valves and therefore cause operational defects. The TacoVent Pure Mag R is used to separate out these particles from the system water and remove them in a controlled manner from the system.

INSTALLATION POSITION

The TacoVent Pure Mag R is designed for different installation positions. The V variant is designed for vertical installation and the H variant for horizontal installation. The indicated direction of flow must be observed with both variants.

ADVANTAGES

- Increases the service life of HE pumps and valves by:
- Separating out magnetite
 - Separating out even the most minute dirt particles
 - Low pressure loss
 - Rapid maintenance during system operation also
 - Optimum operational reliability
 - Numerous product variants available for horizontal and vertical installation

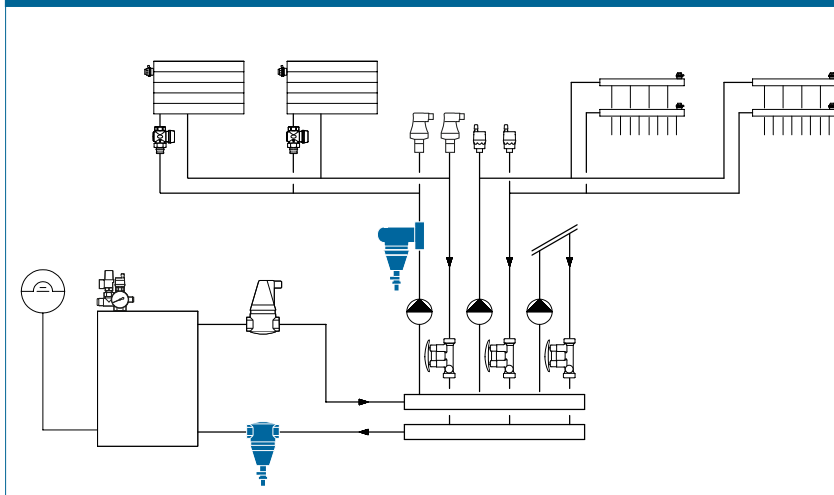
OPERATION

The direct-flow I-Rings integrated in the TacoVent Pure Mag R ensure that the particles automatically fall into the reservoir. These particles can be flushed out here in a controlled manner when the system is operating. The flushing process only takes a few seconds with the contaminants being quickly forced outwards by the system pressure applied. The versions with magnetite additionally separate out magnetite.

NOTE

Both advantages of the integrated I-Rings can be drawn on when using a TacoVent Twin Mag R. Air and dirt separation are performed in one valve, thereby ensuring ongoing system operation with low pressure loss.

SYSTEM/BASIC DIAGRAM



BUILDING CATEGORIES

- For pipe installations in heating and solar systems:
- Apartment blocks, housing estates, multiple dwelling units
 - Residential care facilities and hospitals
 - Administration and service buildings
 - Hotels and restaurants
 - School buildings and sports halls / sports facilities
 - Commercial and industrial buildings

TACOVENT PURE MAG R | DIRT SEPARATOR

TACOVENT PURE MAG RH

TYPE OVERVIEW

TacoVent Pure Mag RH | Dirt and magnetite separator (horizontal), thread connection

Order no.	Article description	DN	Rp	k_v (m ³ /h)	Weight **	Water content
244.4002.000	TacoVent Pure Mag RH ¾"	20	¾"	11.2	1.4 kg	0.22 l
244.4003.000	TacoVent Pure Mag RH 1"	25	1"	20.0	1.8 kg	0.35 l
244.4004.000	TacoVent Pure Mag RH 1 ¼"	32	1 ¼"	31.4	2.4 kg	0.48 l
244.4002.380*	TacoVent Pure Mag RH Plus ¾"	20	¾"	11.2	1.4 kg	0.22 l
244.4003.380*	TacoVent Pure Mag RH Plus 1"	25	1"	20.0	1.8 kg	0.35 l
244.4004.380*	TacoVent Pure Mag RH Plus 1 ¼"	32	1 ¼"	31.4	2.4 kg	0.48 l

TacoVent Pure RH | Dirt Separator (Horizontal), thread connection

Order no.	Article description	DN	Rp	k_v (m ³ /h)	Weight **	Water content
244.6002.000	TacoVent Pure RH ¾"	20	¾"	11.2	1.4 kg	0.22 l
244.6003.000	TacoVent Pure RH 1"	25	1"	20.0	1.8 kg	0.35 l
244.6004.000	TacoVent Pure RH 1 ¼"	32	1 ¼"	31.4	2.4 kg	0.48 l
244.6002.380*	TacoVent Pure RH Plus ¾"	20	¾"	11.2	1.4 kg	0.22 l
244.6003.380*	TacoVent Pure RH Plus 1"	25	1"	20.0	1.8 kg	0.35 l
244.6004.380*	TacoVent Pure RH Plus 1 ¼"	32	1 ¼"	31.4	2.4 kg	0.48 l

* Including insulation box | ** Weight without insulation box

SPECIFICATION TEXT

See www.taconova.com

TECHNICAL DATA

General

- Operating temperature $T_{0 \text{ max}}$: 120 °C
- Operating pressure $P_{B \text{ max}}$: 10 bar
- Available with or without magnetic ring

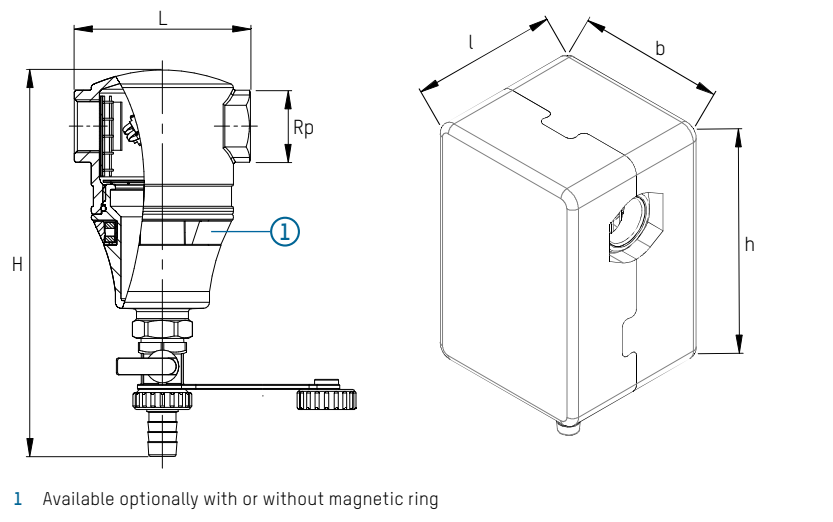
Material

- Brass and plastic

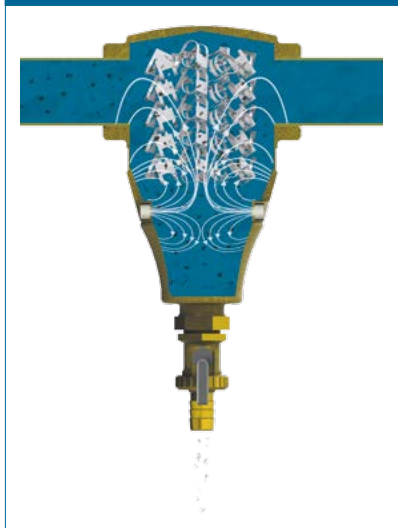
Flow media

- Heating water
(VDI 2035; SWKI BT 102-01;
ÖNORM H 5195-1)

DIMENSIONAL DRAWING (PRODUCT / INSULATION)



OPERATING PRINCIPLE



MEASUREMENT TABLE

TacoVent Pure Mag RH | Dirt Separator (Horizontal), Thread Connection

Order no.	H (mm)	L (mm)	h (mm)	b (mm)	t (mm)	ø max.
244.X002.000	192	88				71
244.X003.000	212.5	100				80
244.X004.000	233	114				87
244.X002.380	192	88	157	113	102	71
244.X003.380	212.5	100	175.5	117	110	80
244.X004.380	233	114	196	121	116	87

TACOVENT PURE MAG R | DIRT SEPARATOR

TACOVENT PURE MAG RV

TYPE OVERVIEW

TacoVent Pure Mag RV | Dirt and magnetite separator (vertical), thread connection

Order no.	Article description	DN	Rp	Weight **	Water content
244.4102.000	TacoVent Pure Mag RV 3/4"	20	3/4"	2.15 kg	0.4 l
244.4102.380*	TacoVent Pure Mag RV Plus 3/4"	20	3/4"	2.15 kg	0.4 l

TacoVent Pure RV | Dirt Separator (Vertical), thread connection

Order no.	Article description	DN	Rp	Weight **	Water content
244.6102.000	TacoVent Pure RV 3/4"	20	3/4"	2.15 kg	0.4 l
244.6102.380*	TacoVent Pure RV Plus 3/4"	20	3/4"	2.15 kg	0.4 l

* Including insulation box

** Weight without insulation box

SPECIFICATION TEXT

See www.taconova.com

TECHNICAL DATA

General

- Operating temperature $T_{D \max}$: 120 °C
- Operating pressure $P_{B \max}$: 10 bar
- Available with or without magnetic ring

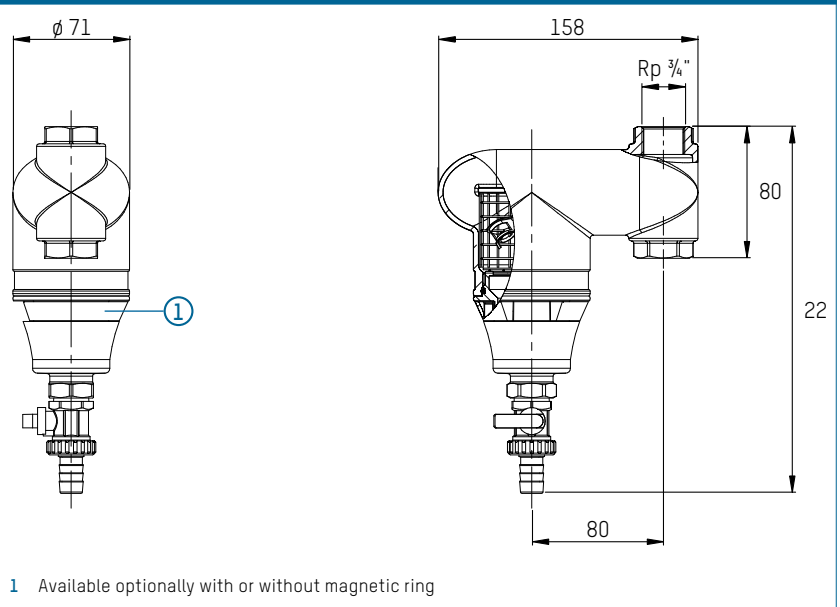
Material

- Brass and plastic

Flow media

- Heating water
(VDI 2035; SWKI BT 102-01;
ÖNORM H 5195-1)

DIMENSIONAL DRAWING



SPARE PART



MAGNETIC RING

Order no.	Fits to
298.4004.000	TacoVent Pure and TacoVent Twin