

NOVAZONE VALVE

ZONE VALVE



Diagram partially similar

ADVANTAGES

- Short actuating times (max. 20 seconds)
- Robust design
- With lever for manual operation
- Low maintenance
- Visible valve setting
- For water, heating water and glycol/water mixtures

Control of volume flows for different fluids in HVAC systems

DESCRIPTION

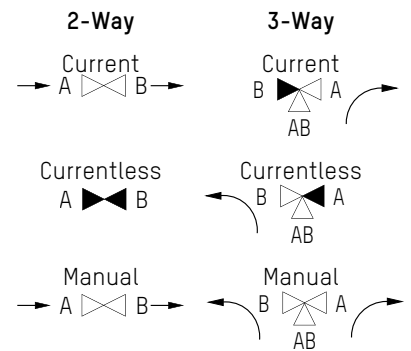
Zone valve with electromotive drive and spring return for control in HVAC systems. System parts or individual units are supplied with fluid or switched off depending on the switching criterion (open/closed for 2-way valves and switching for 3-way valves). With lever for manual operation. The valve setting is visible. Stuffing box seal provided by two successive O-ring seals. Range of applications for different fluids (water, glycol mixtures).

INSTALLATION POSITION

The installation position is variable. Only the arrow indicating the direction of flow of the medium needs to be noted.

OPERATION

The valve body is moved from its initial to its final position by means of a 1-pin control contact (e.g. thermostat, switch, etc.). The valve is returned to its initial position in a currentless state by means of a return spring.

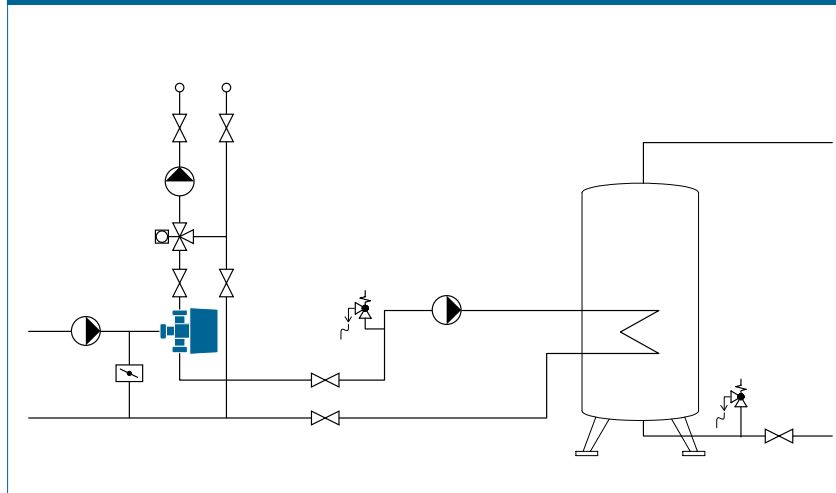


BUILDING CATEGORIES

For pipe installations in heating and cooling area:

- Apartment blocks, housing estates, multiple dwelling units
- Residential care facilities and hospitals
- Administration and service buildings
- Hotels and restaurants, industrial kitchens
- School buildings and sports halls / sports facilities
- Commercial and industrial buildings
- Facilities with partial use, such as barracks, camping sites

SYSTEM/BASIC DIAGRAM



NOVAZONE VALVE | ZONE VALVE

SPECIFICATION TEXT

See www.taconova.com

TECHNICAL DATA

General

- Operating mode: normally closed
- Ambient temperature: up to 60 °C

Drive

- Ambient temperature: up to 60 °C
- Operating voltage: 230 V ($\pm 10\%$)
50 Hz
- Power consumption: 6 W
- Protection type IP 20
- CE conformance

- Cable length 0.6 m
- Opening times: 12 sec.
- Closing times: 5 sec.

Valve bodies

- Operating temperature $T_{0\max}$: 120 °C
- Operating pressure $P_{0\max}$: 10 bar
- Temperature of medium: 5 - 120 °C
- Shaft seal: stuffing box seal provided by two successive O-ring seals

Material

- Housing: brass
- Paddle: EPDM

Fluids

- Heating water (VDI 2035; SWKI BT 102-01; ÖNORM H 5195-1)
- Water and proprietary additives used against corrosion and freezing up to 50%

TYPE OVERVIEW

NovaZone Valve 2way | 2-way zone valve with electromotive drive and spring return, standard version for medium temperatures of 5 - 120 °C

Function: Open / Closed

Order no.	Voltage	DN	Rp	$K_{vs} \text{ m}^3/\text{h}$	$\Delta p \text{ max (bar)}$
256.5242.999S	230 V	15	½"	3300 l/h	1,4
256.5243.999S	230 V	20	¾"	4800 l/h	1,0
256.5244.999S	230 V	25	1"	4600 l/h	1,0

NovaZone Valve 3way | 3-way zone valve with electromotive drive and spring return, standard version for medium temperatures of 5 - 120 °C

Function: Switching

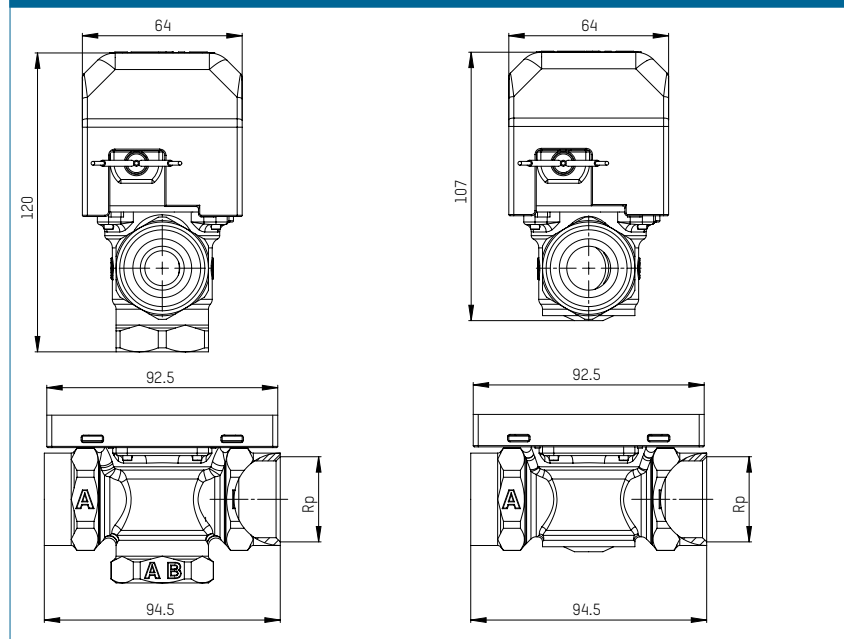
Order no.	Voltage	DN	Rp	$K_{vs} \text{ m}^3/\text{h}$	$\Delta p \text{ max (bar)}$
256.5342.999S	230 V	15	½"	3500 l/h	1,4
256.5343.999S	230 V	20	¾"	4400 l/h	1,0
256.5344.999S*	230 V	25	1"	8800 l/h	0,5

* high K_{vs} value

NOTE

Taconova Group AG maintains these articles under the name XXX.XXXX.999N.

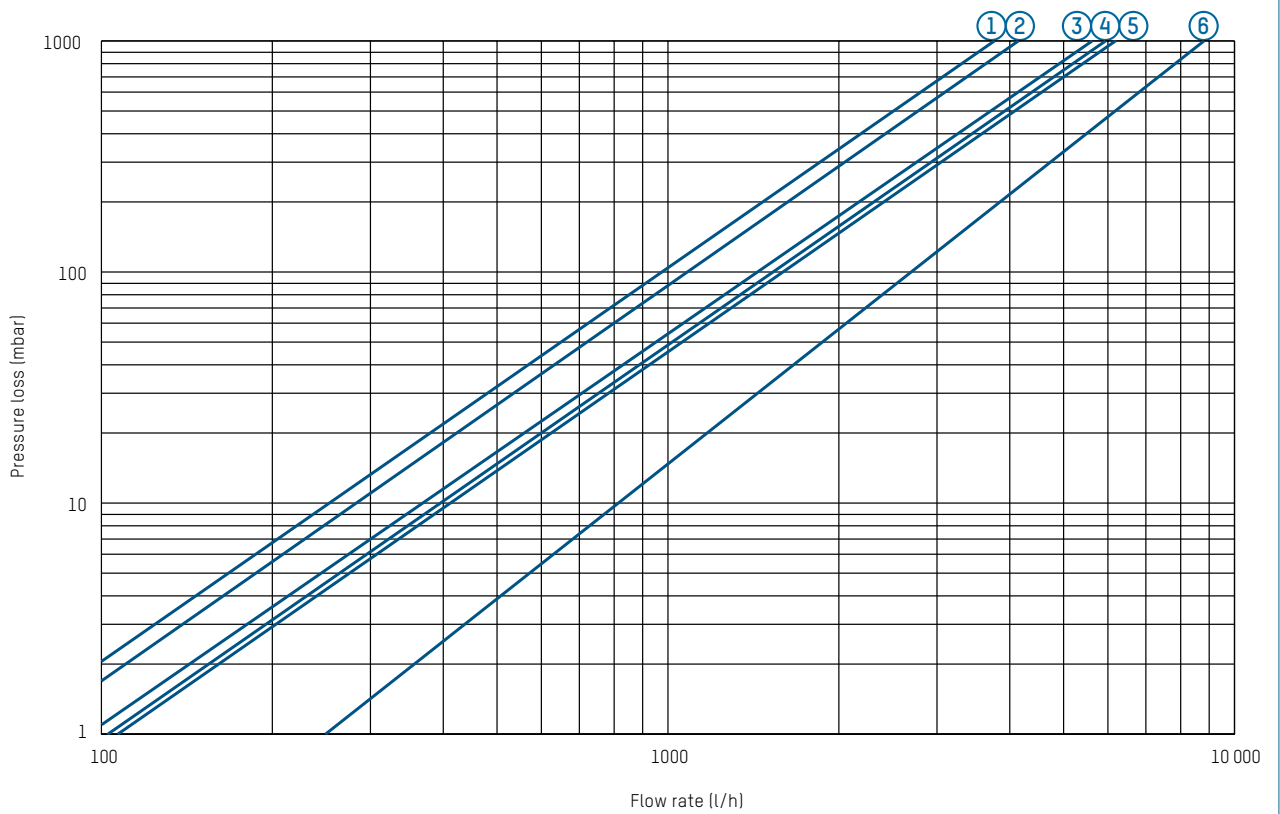
DIMENSIONAL DRAWING



SIZE MEASUREMENT

Fits	H	H1	H2
All DN 15 2-way through valves	107	93	14
All DN 20 2-way through valves	107	93	14
All DN 25 2-way through valves	107	93	14
All DN 15 3-way switching valves	120	86	34
All DN 20 3-way switching valves	120	86	34
All DN 25 3-way switching valves	120	86	34

VALVE CHARACTERISTIC CURVE (ALL VERSIONS)



Key

- | | |
|----------------|----------------|
| 1 DN15 (2-Way) | 4 DN25 (2-Way) |
| 2 DN15 (3-Way) | 5 DN20 (2-Way) |
| 3 DN20 (3-Way) | 6 DN25 (3-Way) |