

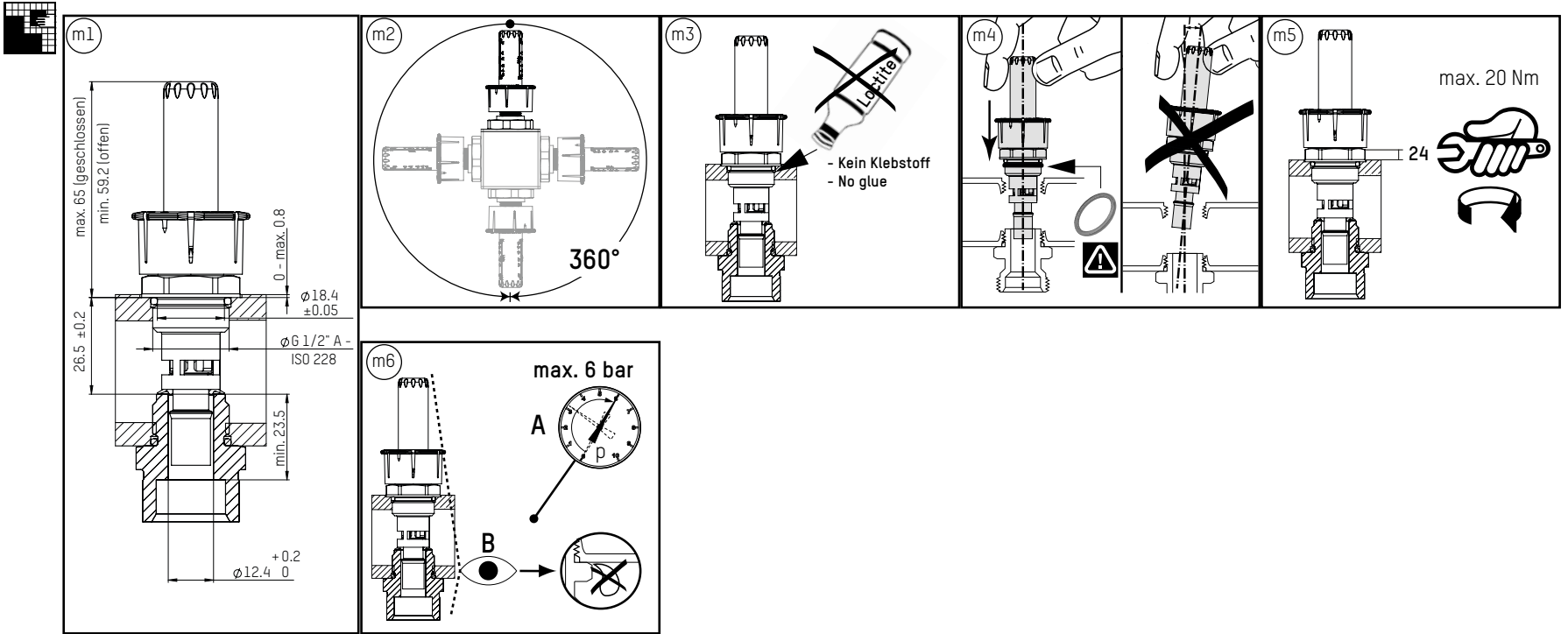
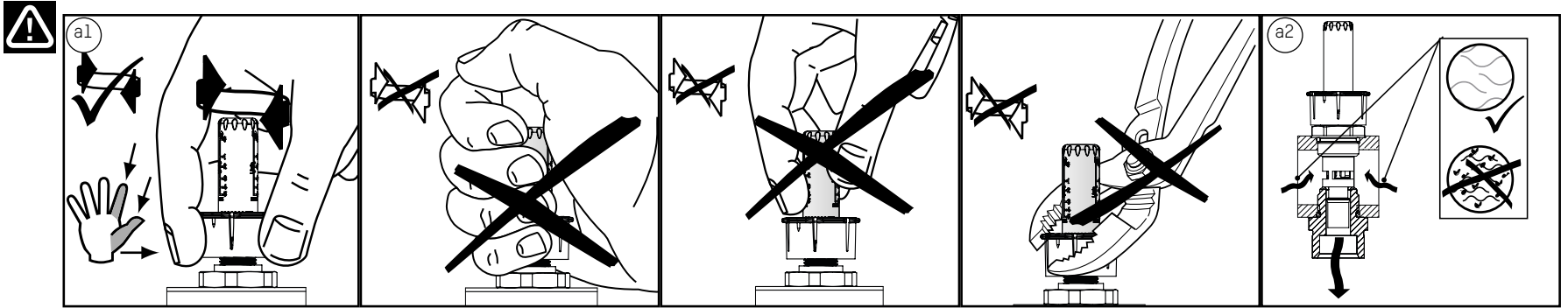
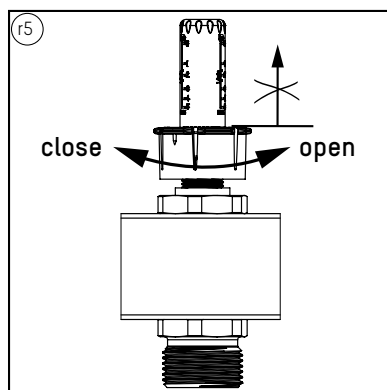
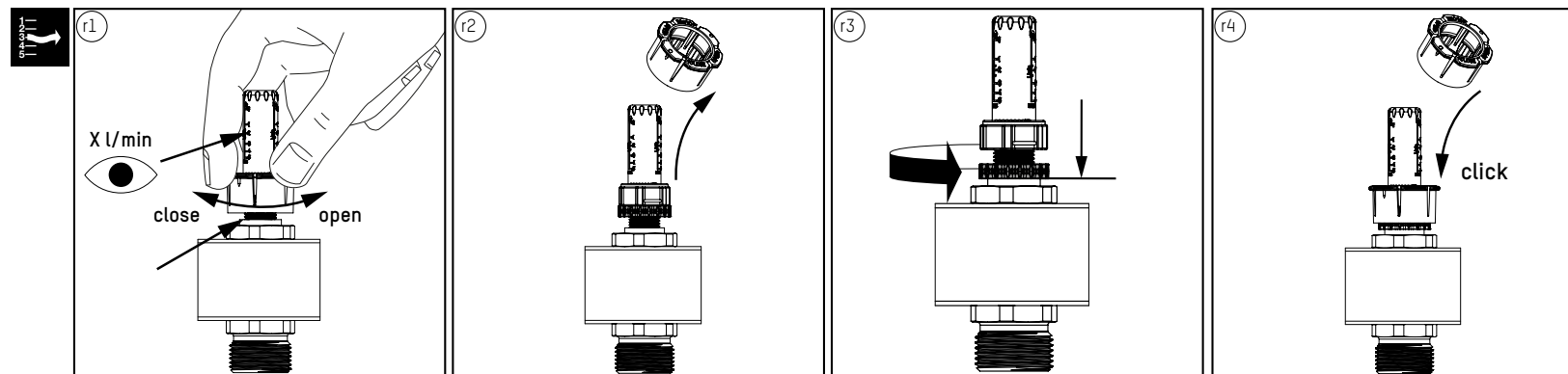




DN	G	
15	1/2"	24

TB	-10...70°C	
PB	6 bar	




Empfehlung:

Befüllung gemäss VDI 2035, ÖNORM H 5195-1, SWKI 97-1, UNI-CTI 8065

Recommendation:

Filling according to VDI 2035, ÖNORM H 5195-1, SWKI 97-1, UNI-CTI 8065

Recommandation:

Remplir selon VDI 2035, ÖNORM H 5195-1, SWKI 97-1, UNI-CTI 8065

Raccomandazione:

Riempire in base a VDI 2035, ÖNORM H 5195-1, SWKI 97-1, UNI-CTI 8065

Recomendación:

llenar según VDI 2035, ÖNORM H 5195-1, SWKI 97-1, UNI-CTI 8065

Doporučení:

Plnění dle VDI 2035, ÖNORM H5195-1, SWKI 97-1, UNI-CTI 8065

Zalecamy:

Napełniac zgodnie z normami VDI2035, ÖNORM H5195-1, SWKI 97-1, UNI-CTI 8065



298.2317.000
0...2.5 l/min
298.2316.000
0...5 l/min
298.2318.000
0...6 l/min
298.2319.000
0...8 l/min