

RA 57 Actuators with auxiliary switch



Application

Electro-thermal actuators for the heating circuits of manifolds and radiator valves.

TACONOVA actuators used in conjunction with room thermostats, timers and building automation systems permit the realization of heating and cooling systems with individual temperature regulation based on actual requirements.

Compact dimensions and an appealing design ensure that the actuators are used in multifaceted applications in heating, ventilation, air conditioning and sanitary systems.

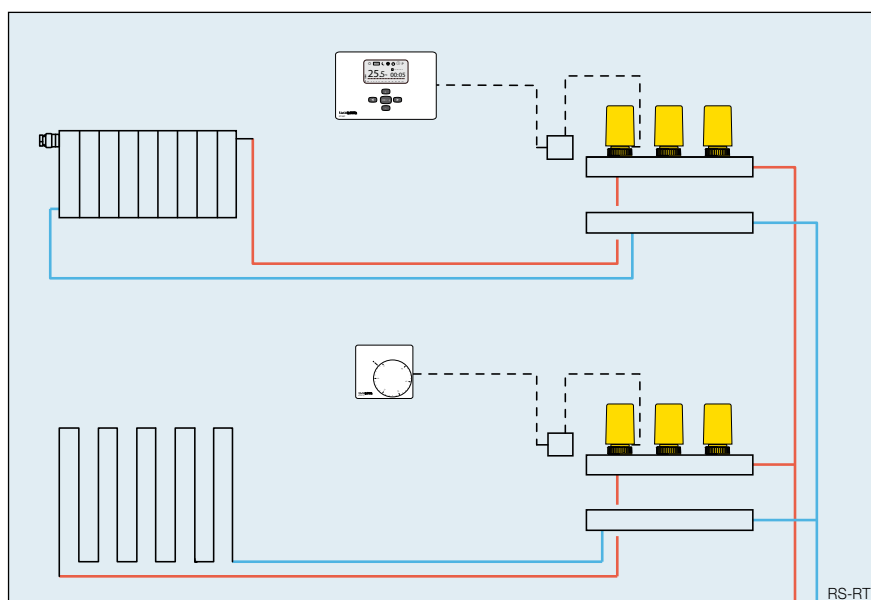
Residential accommodation, offices, schools, hotels etc. are typical properties offering interesting potential for savings where there is a requirement for heating and cooling on a consistent "on demand" basis.

The auxiliary switch can be deployed wherever a control pulse is required to actuate external devices. This could, for example, involve the actuation of a circulating pump or a control pulse for a central controller

Visual indication of valve position is standard and serves as a functional control feature during installation, commissioning and monitoring.

Advantages

- Features an auxiliary switch
- Very compact dimensions
- Appealing design
- Low power consumption
- Visual indication of valve position
- Silent operation
- Fixed arrangement of the working elements and thus no bending load on the connecting cable
- 230 or 24 V



Functioning

Every divergence from the target room temperature causes the actuator to pass on a corresponding lifting motion to the valve.

Controller and actuator work on the «OPEN/CLOSED» principle. Variable, rhythmic opening and closing, depending on the requirement for heat output, also effect continuous-like control behavior.

The auxiliary switch here specifies the moment at which, for example, the pump starts or stops operating. As a rule, the switch point is closed in the case of a fully open valve (control line contact).

RA 57 Actuators with auxiliary switch

Specification

Electro-thermal actuator with auxiliary switch for the heating circuits of manifolds and radiator valves.

Auxiliary switch to actuate a pump or as the control pulse for a central controller.

Visual indication of valve position.

Silent operation.

Electrical protection class II

Protection mode IP44

With click connection, to fit Heimeier and compatible valves.

CE conformity.

Operating mode: No current closed

Stroke: 3.5 mm

Opening/closing time: approx. 3 min.

Operating temperature: -5° to +45°C

Operating voltage: 24 V or 230 V

Switching power of auxiliary switch:
1A or 0.5A

Technical data

230 V	24 V
Short-term starting current: 320 mA	270 mA
Constant current/output: 7 mA/2 W	70 mA/2 W
Ambient temperature: max. 45° C	max. 45° C
Auxiliary switch (switching power): 0,5A / 250 V AC	1,0A / 24 V AC/DC

Standards / approvals

Protection mode IP 44

Protection class II

The technical data conforms to the corresponding EN standards. The product bears the CE conformity mark.

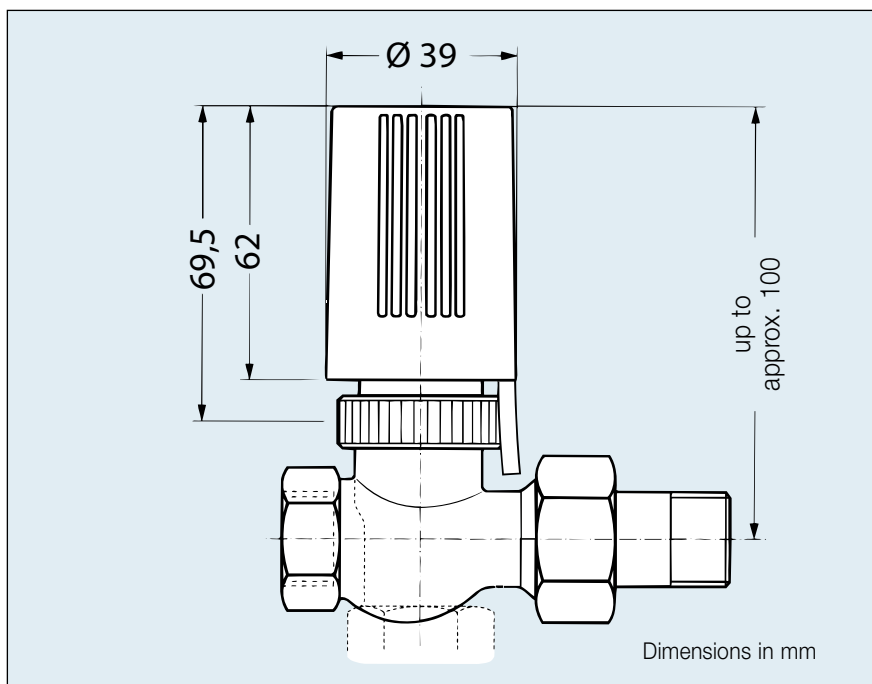
Type overview / Order no.

230 V	To fit valves* from:	Function	Fixing
257.2255.500	Heimeier / Strawa / Delphistherm u.a.	NC	M30 x 1,5

24 V	To fit valves* from:	Function	Fixing
257.1255.500	Heimeier / Strawa / Delphistherm u.a.	NC	M30 x 1,5

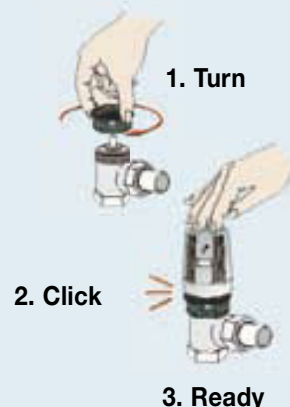
NC = (Normally Closed) function no current closed

* Further customized versions for other valve tops on request. In case of doubt about valve compatibility, please consult Technical Service department.



Click assembly for actuators

- Easy to assemble - Simple assembly even in cramped locations
- Individual - Suitable for all makes of valve*
- Logical - Preassembly possible
- Cost-effective - Rapid installation
- Practical - Just a simple click after hydraulic balancing
- Stable - Fixed using stainless steel detent
- Simple disassembly - Can be disassembled using simple tools



Subject to modification. R-RA 12/07 pdf e