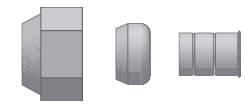
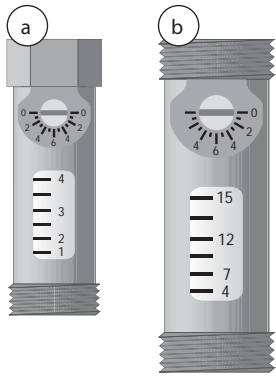


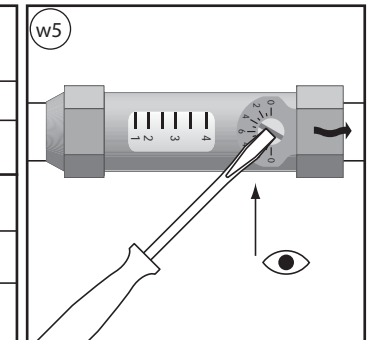
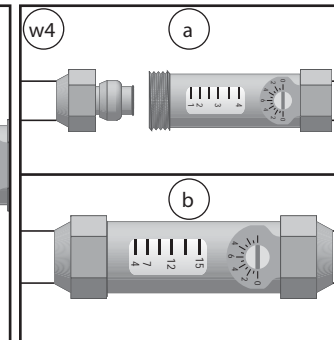
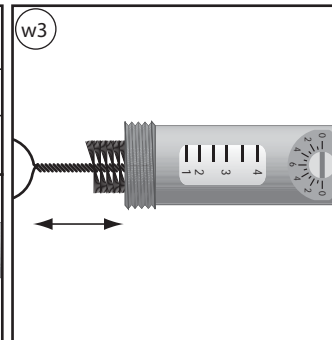
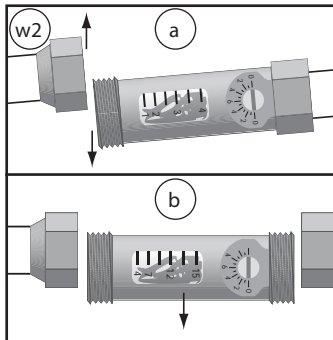
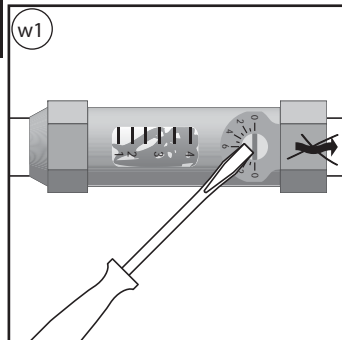
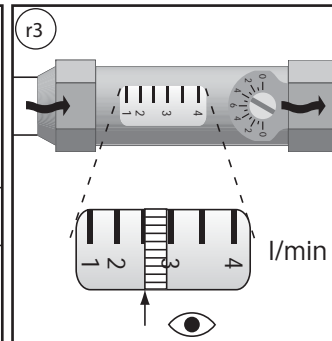
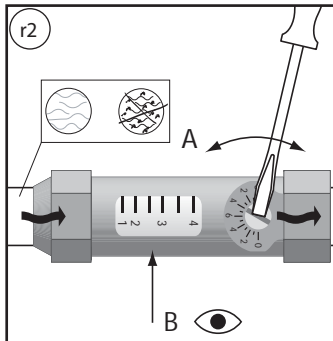
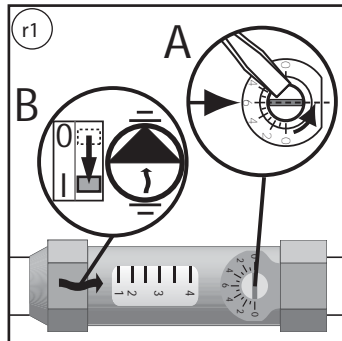
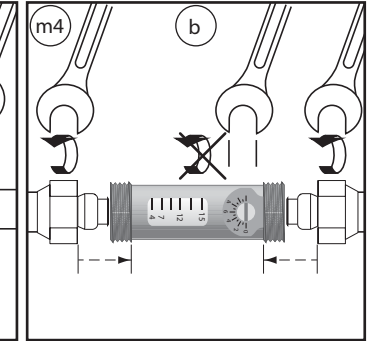
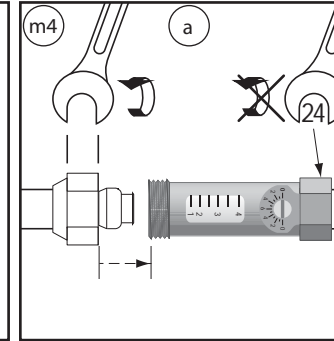
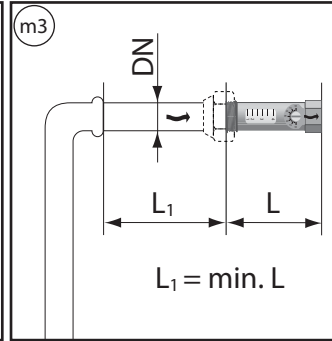
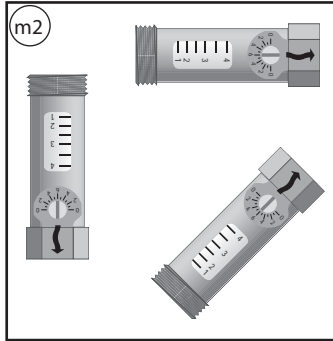
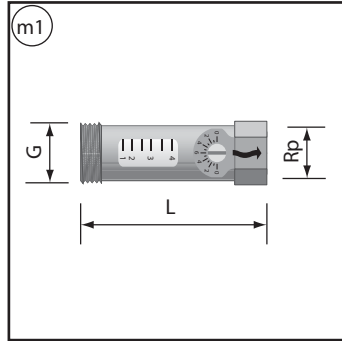
AV 23 SETTER Inline



a	DN	G x Rp	L (mm)	Wrench
	15	3/4" x 1/2"	80.5	24

b	DN	G x G	L (mm)	Wrench
	15	3/4" x 3/4"	80.5	24
	20	1" x 1"	104	30

TB	100°C	
PB	10 bar	



· Subject to modifications