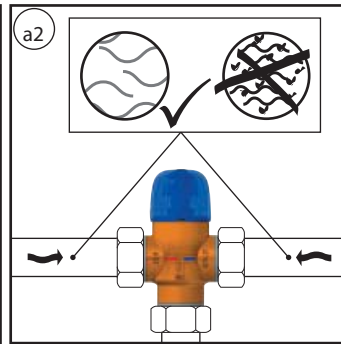
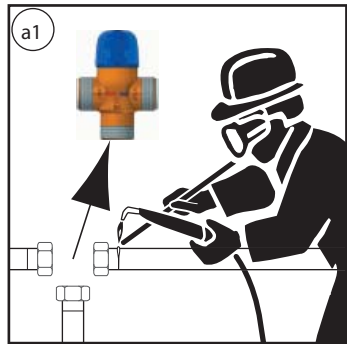
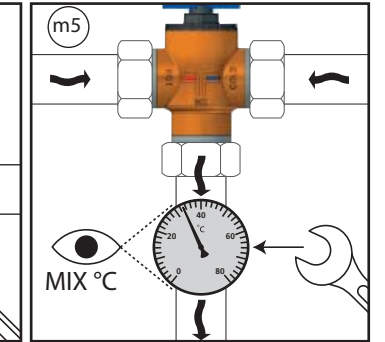
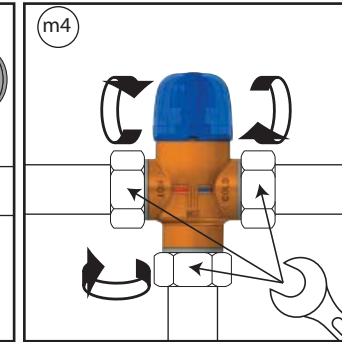
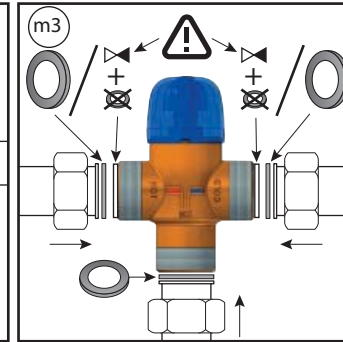
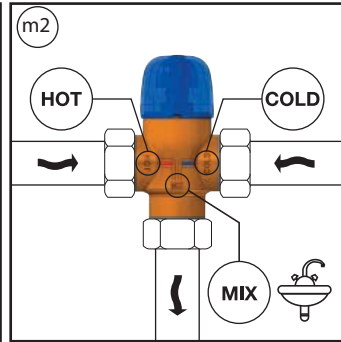
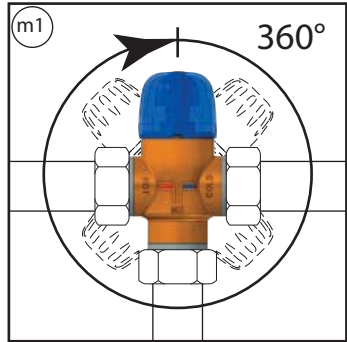


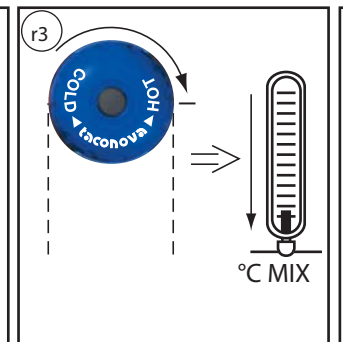
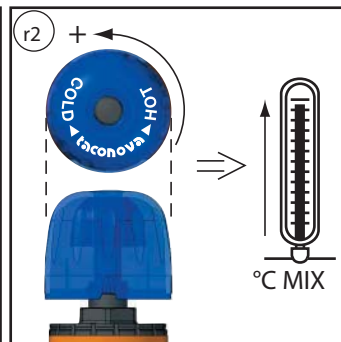
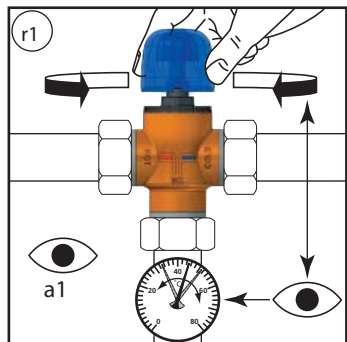
MT 53 3/4" (DN15) 1" (DN20) 1 1/4" (DN25)



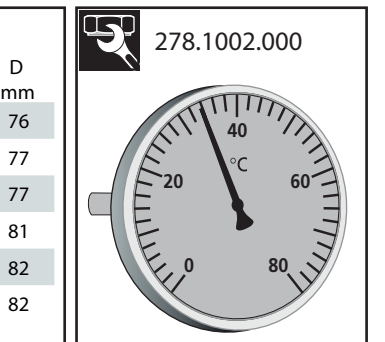
| MT 53, EN 15092 Bereich 45-65°C | MT 53, Bereich 35-70°C | TB | PB | DN | G | ↔ |
|---------------------------------|------------------------|-------|--------|----|--------|---|
| 253.1002.____ | 253.2002.____ | 100°C | 10 bar | 15 | 3/4" | - |
| 253.1003.____ | 253.2003.____ | 100°C | 10 bar | 20 | 1" | - |
| 253.1004.____ | 253.2004.____ | 100°C | 10 bar | 25 | 1 1/2" | - |
| 253.1102.____ | 253.2102.____ | 90°C | 10 bar | 15 | 3/4" | ✓ |
| 253.1103.____ | 253.2103.____ | 90°C | 10 bar | 20 | 1" | ✓ |
| 253.1104.____ | 253.2104.____ | 90°C | 10 bar | 25 | 1 1/2" | ✓ |



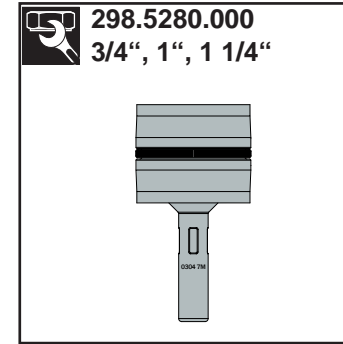
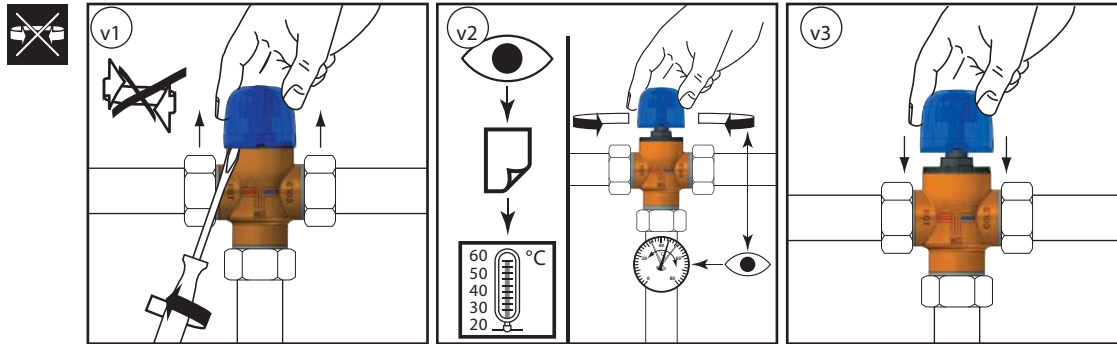
EN15092
 KTW / W270
 TÜV



| | ↔ | D mm |
|--------|---|------|
| 3/4" | - | 76 |
| 1" | - | 77 |
| 1 1/4" | - | 77 |
| 3/4" | ✓ | 81 |
| 1" | ✓ | 82 |
| 1 1/4" | ✓ | 82 |



MT 53 3/4" (DN15) 1" (DN20) 1 1/4" (DN25)



| | | |
|--------------|---------|--------|
| 298.5281.000 | 45-65°C | 3/4" |
| 298.5282.000 | 45-65°C | 1" |
| 298.5283.000 | 45-65°C | 1 1/4" |
| 298.5284.000 | 35-70°C | 3/4" |
| 298.5284.000 | 35-70°C | 1" |
| 298.5285.000 | 35-70°C | 1 1/4" |

