

TACOVENT AIRSCOOP

AIR SEPARATOR



Permanent air separation.

DESCRIPTION

The air separator is fitted in the inlet pipe immediately behind the heating source. This is the point with the highest concentration of air and gas driven out of the water.

The expansion occurring inside the AirScoop and the built-in deflectors speed up the process of separating air and water.

When combined with the float air vent TacoVent HyVent, this system ensures air separation as well as elimination.

INSTALLATION POSITION

The air separator may only be installed horizontally. The direction of flow must be kept in mind.

ADVANTAGES

- High air separation capacity
- Strong robust design
- Service and maintenance-free structure

OPERATION

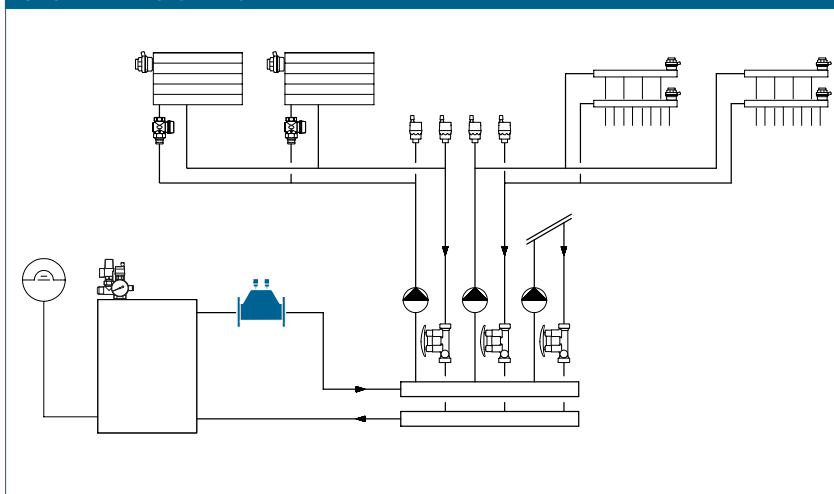
The air expelled from the water into the heating circuit enters the air separator device as air bubbles. The flow-deflector in the housing drives the air bubbles to the top. The collected air is automatically vented via the TacoVent HyVent. The air-separation capacity can be increased by installing a straight piece of piping of approx. 0.5 m in length upstream the separator.

BUILDING CATEGORIES

For pipe installations in heating area:

- Apartment blocks, housing estates, multiple dwelling units
- Residential care facilities, hospitals
- Administration and service buildings
- Hotels and restaurants
- School buildings and sports facilities
- Commercial and industrial buildings

SYSTEM/BASIC DIAGRAM



TACOVENT AIRSCOOP | AIR SEPARATOR

SPECIFICATION TEXT

See www.taconova.com

TECHNICAL DATA

General

- Operating temperature $T_{0\text{ max}}$: 135 °C
with float vent valve $T_{0\text{ max}}$: 115 °C
- Operating pressure $P_{0\text{ max}}$: 10 bar

Material

- Housing in cast iron GG 25, lacquered

Fluids

- Heating water
(VDI 2035; SWKI BT 102-01;
ÖNORM H 5195-1)

TYPE OVERVIEW

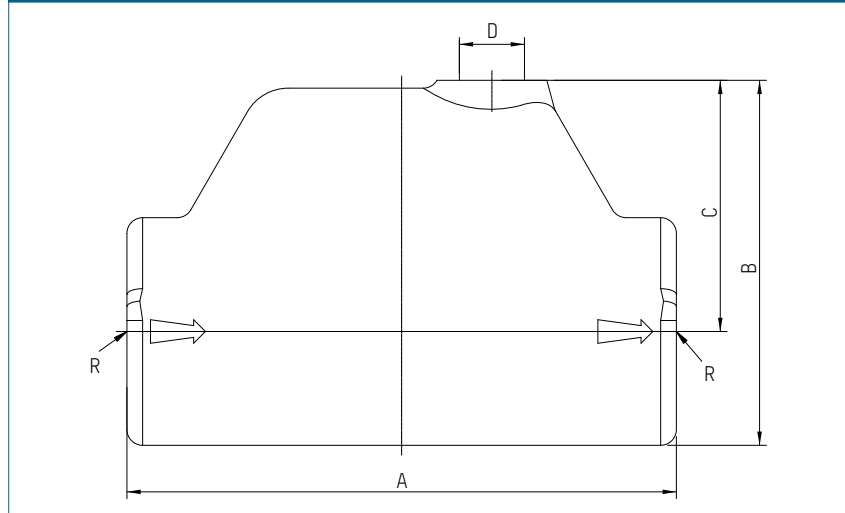
TacoVent AirScoop | Air separator (horizontal), thread connection

Order no.	DN	Rp	Zeta ζ	k_v [m ³ /h]	Weight
243.5001.000	20	¾"	1,1	17,1	0,6 kg
243.5002.000	25	1"	1,0	28,8	0,8 kg
243.5003.000	32	1¼"	1,0	50,4	1,6 kg
243.5004.000	40	1½"	1,1	64,4	3,2 kg
243.5005.000	50	2"	0,84	114,0	3,2 kg
243.5006.000	65	2½"	0,67	237,0	6,8 kg

OPERATION PRINCIPLE



DIMENSIONAL DRAWING



MEASUREMENT TABLE

TacoVent AirScoop | Air separator (horizontal)

Order no.	R	A	B	C	D
243.5001.000	Rp ¾"	110	69	48	Rp ¾"
243.5002.000	Rp 1"	120	79	55	Rp ¾"
243.5003.000	Rp 1¼"	140	93	64	Rp ¾"
243.5004.000	Rp 1½"	160	96	64	Rp ¾"
243.5005.000	Rp 2"	228	120	80	Rp ¾"
243.5006.000	Rp 2½"	235	144	95	Rp ¾"

ACCESSORIES



TACOVENT HYVENT

See separate data sheet

Order no.	DN	G	Version
242.5072.001	10	¾"	without automatic check valve
242.5072.002	10	¾"	with automatic check valve

CONTACT AND FURTHER INFORMATION

TACONOVA.COM

Taconova Group AG | Neunbrunnenstrasse 40 | CH-8050 Zürich | T +41 44 735 55 55 | F +41 44 735 55 02 | group@taconova.com
Taconova UK Limited | AMP Technology Centre | Brunel Way | Rotherham | S60 5WG | T +44 114 231 3700 | adminuk@taconova.com