

# TACOVENT VENT

## HEATING RADIATOR VENT VALVES



### ADVANTAGES

- Reliable, long-life operation
- Versatile application in water-ducting systems
- Additional manual quick-venting
- Built-in automatic check valve requires no draining of the system in case of replacement of the valve insert
- Small and compact design
- Saving of energy by optimal vented system

Permanent and automatic venting.

### DESCRIPTION

The TacoVent Vent valves can be used in all systems of water. The valve automatically vents hydraulic systems such as heating radiators, pipe manifolds, pipes, boilers, reservoirs and underfloor heating manifolds on a continuous basis. This automatic function improves operational safety (corrosion reduction) and enhances the user's comfort (no airborne noises). The manual quick-venting allows the fast filling in of the system due to the venting capacity.

### INSTALLATION POSITION

Vertically upwards and horizontally.

### OPERATION

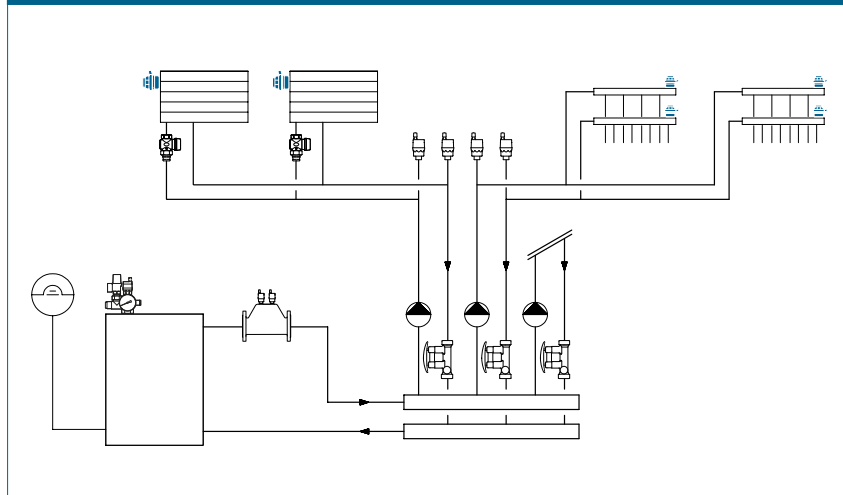
The automatic operation of the vent valve relies on the special swelling discs built in the valve insert. In dry conditions, the swell discs allow air and gas to escape. The immediate swelling prevents water leakage. Manual air venting is achieved by undoing the knurled screw and allowing air and gas to escape. Replacement of the valve insert (including seal and swelling discs) is possible due to the automatic check valve integrated in the vent valve.

At the first start of operation, it's possible that a few drops come out as long as the swelling discs are dry. This doesn't occur in operation.

### BUILDING CATEGORIES

- For pipe installations in heating area:
- Apartment blocks, housing estates, multiple dwelling units
  - Residential care facilities, hospitals
  - Administration and service buildings
  - Hotels and restaurants, industrial kitchens
  - School buildings and sports facilities
  - Commercial and industrial buildings

### SYSTEM/BASIC DIAGRAM



# TACOVENT VENT | HEATING RADIATOR VENT VALVES

## SPECIFICATION TEXT

See [www.taconova.com](http://www.taconova.com)

## TECHNICAL DATA

### General

- Operating temperature  $T_{0\text{max}}$ : 115 °C
- Operating pressure  $P_{0\text{max}}$ : 8.5 bar
- Nominal width:
  - $\frac{1}{8}$ " -  $\frac{3}{8}$ "
  - $\frac{1}{2}$ " self-sealing (O-ring)

### Material

- Valve body: brass nickel-plated
- Valve insert: brass nickel-plated
- Automatic check valve: stainless steel
- Seals: silicone, EPDM

### Fluids

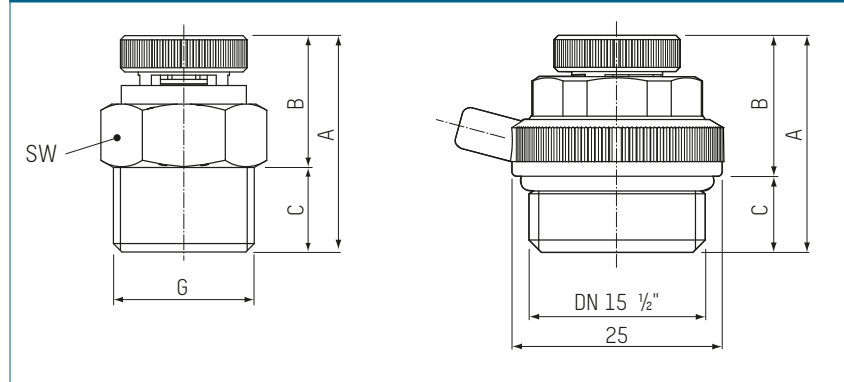
- Heating water  
(VDI 2035; SWKI BT 102-01; ÖNORM H 5195-1)
- Water free of chemical additives

## TYPE OVERVIEW

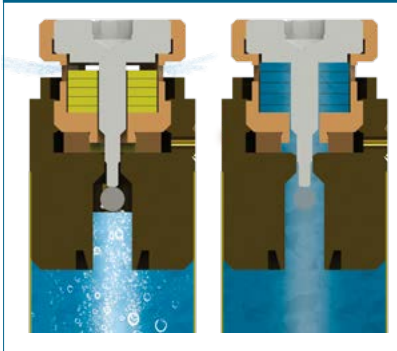
TacoVent Vent | Heating Radiator Vent Valves

Order no.	DN	G	Self-sealing
240.5417.000	6	$\frac{1}{8}$ "	-
240.5418.000	8	$\frac{1}{4}$ "	-
240.5419.000	10	$\frac{3}{8}$ "	-
240.5420.000	15	$\frac{1}{2}$ "	✓

## DIMENSIONAL DRAWING



## OPERATION PRINCIPLE

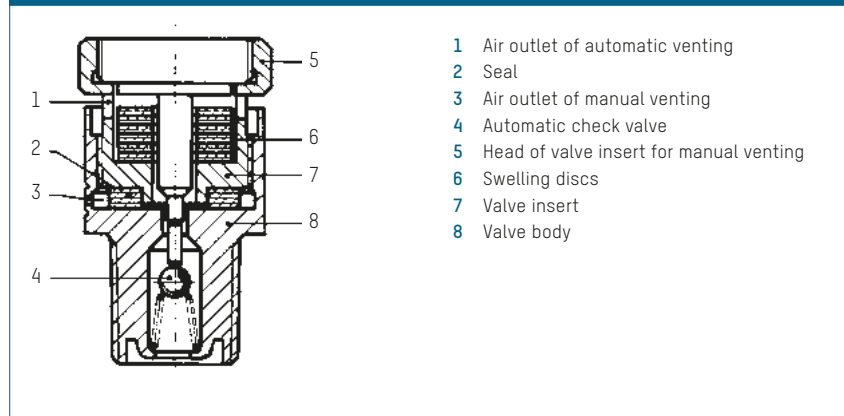


## MEASUREMENT TABLE

TacoVent Vent | Heating Radiator Vent Valves

Order no.	G	A	B	C	SW
240.5417.000	$\frac{1}{8}$ "	26	16	10	14
240.5418.000	$\frac{1}{4}$ "	26	16	10	14
240.5419.000	$\frac{3}{8}$ "	26	16	10	17
240.5420.000	$\frac{1}{2}$ "	26	17	9	19

## SECTIONAL DRAWING



## SPARE PART



## COMPLETE VALVE INSERT

Order no.	Version
298.4001.000	Including seal and swelling discs

## CONTACT AND FURTHER INFORMATION

[TACONOVA.COM](http://TACONOVA.COM)

Taconova Group AG | Neunbrunnenstrasse 40 | CH-8050 Zürich | T +41 44 735 55 55 | F +41 44 735 55 02 | [group@taconova.com](mailto:group@taconova.com)  
 Taconova UK Limited | AMP Technology Centre | Brunel Way | Rotherham | S60 5WG | T +44 114 231 3700 | [adminuk@taconova.com](mailto:adminuk@taconova.com)