

NOVAZONE VALVE

ZONE VALVE



Control of volume flows for different fluids in HVAC systems

DESCRIPTION

Zone valve with electromotive drive and spring return for control in HVAC systems. System parts or individual units are supplied with fluid or switched off depending on the switching criterion (open/closed for 2-way valves and switching for 3-way valves). With lever for manual operation. The rotary spindle is sealed with 3 O-rings. Range of applications for different fluids (water, glycol mixtures). Versions with a micro switch indicate the end position when it has been reached.

INSTALLATION POSITION

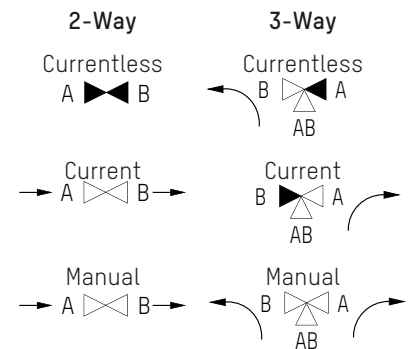
The installation position is variable. Only the letters (A+B) for the flow direction of the medium must be observed.

OPERATION

The valve body is moved from its initial to its final position by means of a 1-pin control contact (e.g. thermostat, switch, etc.). The valve is returned to its initial position in a currentless state by means of a return spring.

ADVANTAGES

- Short actuating times (max. 20 seconds)
- With lever for manual operation
- Low maintenance
- For water, heating water and glycol/water mixtures
- Suitable for solar systems up to 160°C
- Versions with micro switch also available

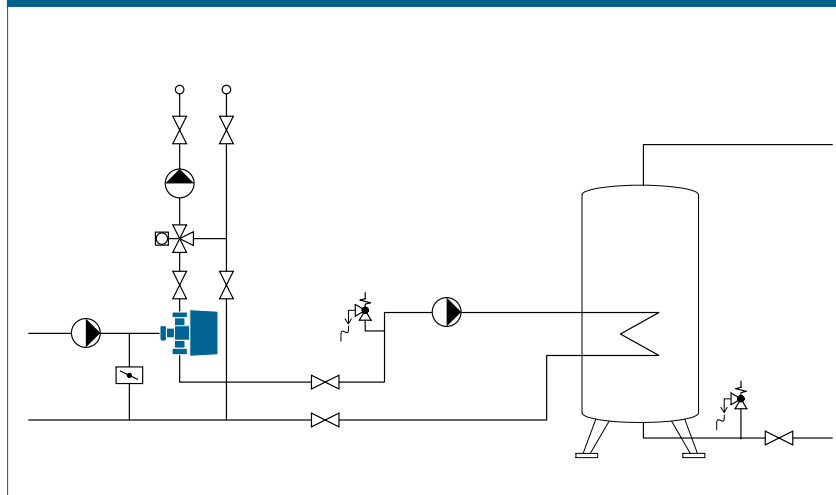


BUILDING CATEGORIES

For pipe installations in heating and cooling area:

- Apartment blocks, housing estates, multiple dwelling units
- Residential care facilities and hospitals
- Administration and service buildings
- Hotels and restaurants, industrial kitchens
- School buildings and sports halls / sports facilities
- Commercial and industrial buildings
- Facilities with partial use, such as barracks, camping sites

SYSTEM/BASIC DIAGRAM



NOVAZONE VALVE | ZONE VALVE

SPECIFICATION TEXT

See www.taconova.com

TECHNICAL DATA

General

- Operating mode: normally closed
- Ambient temperature: up to 50 °C

Drive

- Ambient temperature: up to 50 °C
- Operating voltage: 230 V (± 10 %) 50 Hz
- Power consumption: 6 W
- Protection type IP 20
- CE conformance
- Cable length 1 m:
 - .999S: 3 wires
 - .999E (with micro-switch): 5 wires
- Micro-switch: potential-free, max. 6 A
- Opening times: 12 sec.
- Closing times: 5 sec.

Valve bodies

- Operating temperature $T_{0\text{max}}$: 160 °C
- Operating pressure $P_{0\text{max}}$: 10 bar
- Temperature of medium: -20 – 160 °C
- Rotary spindle seal: 3 O-rings

Material

- Housing: brass
- Paddle: EPDM

Fluids

- Heating water (VDI 2035; SWKI BT 102-01; ÖNORM H 5195-1)
- Water and proprietary additives used against corrosion and freezing up to 50%

TYPE OVERVIEW

NovaZone Valve 2way | 2-way zone valve with electromotive drive and spring return, standard version for medium temperatures of -20 – 160 °C
Function: Open / Closed, Voltage: 230 V

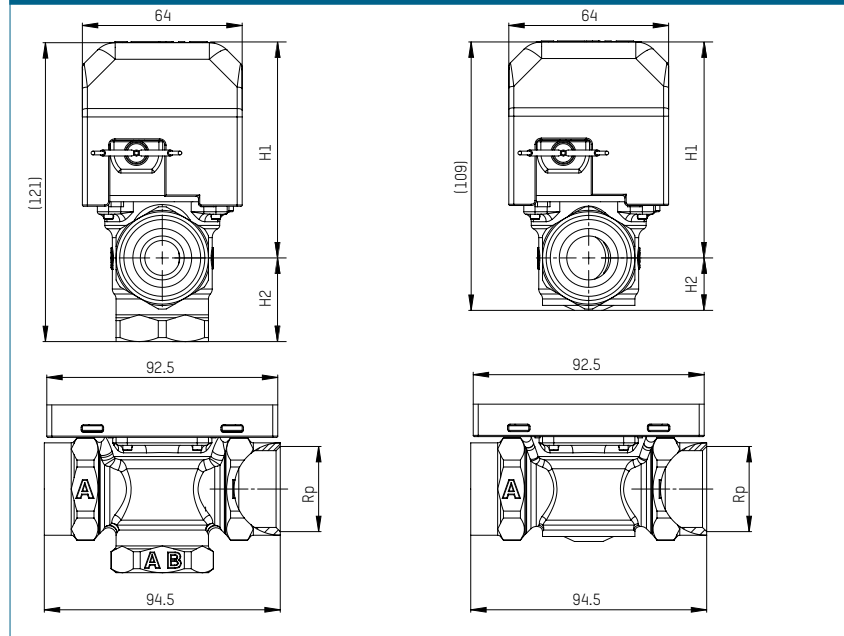
Order no.	Micro-switch	DN	Rp	$K_{VS} \text{ m}^3/\text{h}$	$\Delta p \text{ max (bar)}$
256.5242.999S	no	15	½"	3600 l/h	1,4
256.5243.999S	no	20	¾"	6200 l/h	0,7
256.5244.999S	no	25	1"	6200 l/h	0,7
256.5242.999E	yes	15	½"	3600 l/h	1,4
256.5243.999E	yes	20	¾"	6200 l/h	0,7
256.5244.999E	yes	25	1"	6200 l/h	0,7

NovaZone Valve 3way | 3-way zone valve with electromotive drive and spring return, standard version for medium temperatures of -20 – 160 °C
Function: Switching, Voltage: 230 V

Order no.	Micro-switch	DN	Rp	$K_{VS} \text{ m}^3/\text{h}$	$\Delta p \text{ max (bar)}$
256.5342.999S	no	15	½"	4000 l/h	1,4
256.5343.999S	no	20	¾"	6400 l/h	0,7
256.5344.999S*	no	25	1"	8800 l/h	0,5
256.5342.999E	yes	15	½"	4000 l/h	1,4
256.5343.999E	yes	20	¾"	6400 l/h	0,7
256.5344.999E*	yes	25	1"	8800 l/h	0,5

* high k_{VS} value

DIMENSIONAL DRAWING



SIZE MEASUREMENT

Fits	H	H1	H2
All DN 15 2-way through valves	109	87	22
All DN 20 2-way through valves	109	87	22
All DN 25 2-way through valves	109	87	22
All DN 15 3-way switching valves	121	87	34
All DN 20 3-way switching valves	121	87	34
All DN 25 3-way switching valves	121	87	34

