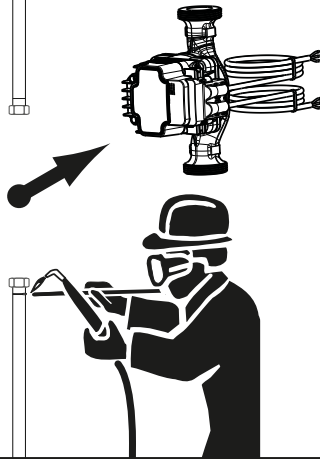


TacoFlow3 PWM			
Min. +2°C	Max. +95°C	Min. +0°C	Max. +55°C
TacoFlow3 DUO HYBRID			
Min. +2°C	Max. +110°C	Min. +0°C	Max. +40°C
Heating		Solar	
PB max 6 bar	PB max 10 bar		
PB min 0.05 bar @ 75°C 0.55 bar @ 95°C			

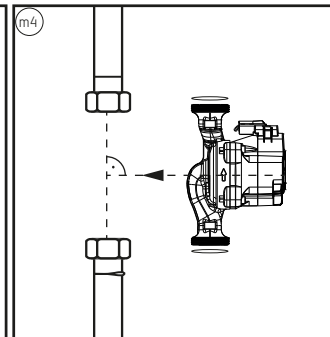
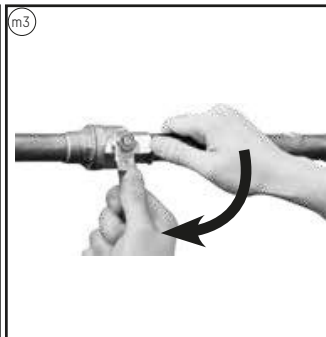
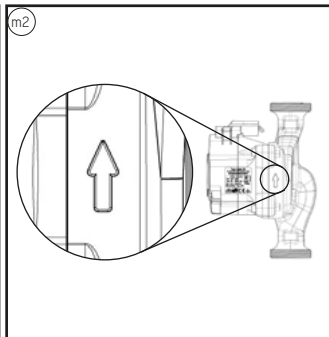
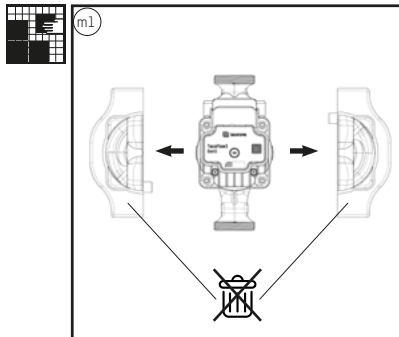
	Glykol max: 40%
	IP44 95% RH < 33 db(A)



Connector position		Pump position	
	✓		✓
	✓		✓
	✓		✗
	✓		✗



Nur bei Anlagen mit Ausdehnungsgefäß und Rückschlagventil installieren.
 To be installed exclusively on systems equipped with expansion tank and non-return valve.
 Da installare esclusivamente su impianti dotati di vaso di espansione e valvola di non ritorno.
 À installer exclusivement sur les systèmes équipés d'un vase d'expansion et d'un clapet anti-retour.
 Instalar exclusivamente en sistemas equipados con vaso de expansion y válvula de retención.



m5

G1	PA 66 GF	Max. 50 Nm
G1	EN-GJL-200	Max. 85 Nm
G1½	EN-GJL-200	Max. 125 Nm
G2	EN-GJL-200	Max. 165 Nm

m6

m7

m8

m9

m10

m11

m12

m13

A Signalkabel	Signal cable	Cavo di segnale
A1 Eingang (rot)	Input (red)	Ingresso (rosso)
A2 Com (braun)	Com (brown)	Com (marrone)
A3 Ausgang (weiss)	Output (white)	Uscita (bianco)
B Netzkabel	Power cable	Cavo di alimentazione
B1 Phase (braun)	Line (brown)	Linea (marrone)
B2 Erdung (gelb)	Earth (yellow)	Terra (giallo)
B3 Neutral (blau)	Neutral (blue)	Neutro (blu)

m14

m15

m16