

# CASCADE CONTROLLER

CASCADE CONTROLLER FOR TACOTHERM FRESH 40



Cascade controller as extension to TacoTherm Fresh 40 fresh water station

## DESCRIPTION

The cascade controller for the TacoTherm Fresh 40 fresh water stations can cascade up to four additional fresh water stations by means of shut-off valves. The scope of delivery of the basic set includes the accessory for cascading two TacoTherm Fresh 40 stations, with the option to interconnect a station in between using the extension set.

## OPERATION

With cascading, the first fresh water station runs autonomously while all other stations are controlled on the secondary side by a shut-off valve. The total flow in the cascade circuit is monitored by the flow sensor supplied.

The individual flows are controlled by the respective station. Four switch-on and four switch-off thresholds can be defined, which allow a further station to be connected or disconnected.

To ensure uniform use of the fresh water stations, the FWCK alternates the downstream freshwater station each time the overall flow falls to 0 l/min.

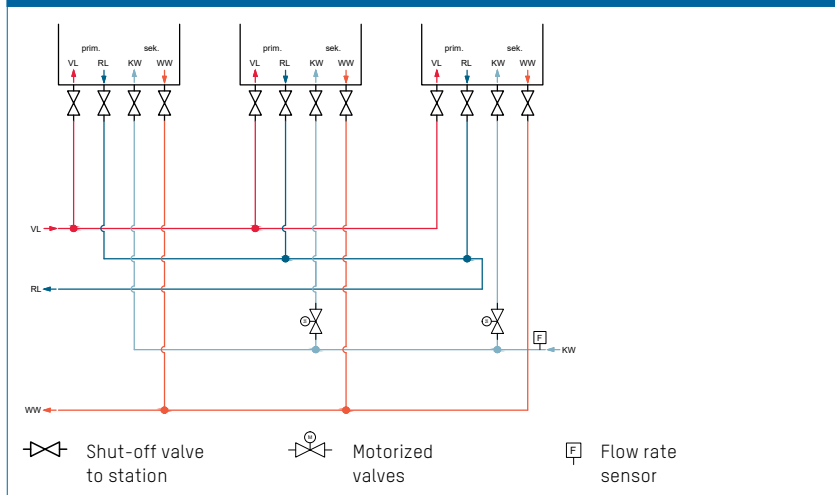
## ADVANTAGES

- Presentation of graphics and text on an illuminated display
- Simple querying of the latest measured values
- Analysis and monitoring of the system, including graphical statistics
- Extensive configuration menus with explanations
- Menu lock can be activated to prevent unintentional setting changes

## BUILDING CATEGORIES

- Apartment blocks, housing estates, multiple dwelling units
- Residential care facilities and hospitals
- Administration and service buildings
- Hotels and restaurants, industrial kitchens
- School buildings and sports halls / sports facilities
- Commercial and industrial buildings and industrial facilities
- Facilities with partial use, such as barracks, camping sites, etc.

## HYDRAULIC BASIC DIAGRAM



# CASCADE CONTROLLER FOR TACOTHERM FRESH 40

## SPECIFICATION TEXT

See [www.taconova.com](http://www.taconova.com)

## TECHNICAL DATA

### General

- Housing design 2-part, plastic ABS
- Installation options: wall mounting, optional panel mounting
- Overall dimensions: 163 mm × 110 mm × 52 mm
- Cutout dimensions: 157 mm × 106 mm × 31 mm
- Full graphics display: 128 × 64 dots
- Light emitting diode (multicolored)
- Operation: 4 entry buttons

### Electrical data

- Mains voltage 230 V AC +/- 10%
- Mains frequency 50...60Hz
- Power consumption 2VA
- Switching power
  - Switching power overall 460VA (relay outputs 1-4)
  - Switching power per relay 460VA for AC1 / 185W for AC3
- Internal fuse 2A slow-acting 250 V
- Protection type/protection class IP40/II
- Vortex Flow Sensor (VFS)
  - Signal output: 0 - 3.5 V
  - Power supply voltage: 5 V
  - Line: can be extended to max. 3m overall length

### Material

- Parts in contact with water: Brass and stainless steel, suitable for use in drinking water

### Permissible ambient conditions

- For controller temperature 0 °C...40 °C
- For transport / storage 0 °C...60 °C humidity
- For controller operation max. 85 % relative humidity at 25 °C
- No formation of condensation permitted for transport/storage

## TYPE OVERVIEW

Cascade controller for TacoTherm Fresh 40

Order no.	Description
298.5100.001*	Flat seal Cascade controller basic set including: <ul style="list-style-type: none"><li>▪ Controller</li><li>▪ Zone valve</li><li>▪ Flow rate sensor</li><li>▪ Screw joint</li><li>▪ Reduction</li><li>▪ Flat seal</li></ul>

\* Only available in Germany

## SCOPE OF DELIVERY OF BASIC SET



## TYPE OVERVIEW OF EXTENSION SET FOR ADDITIONAL CASCADES

Extension set for cascade controller for TacoTherm Fresh 40

Each set allows one extension.

Maximum possible number including base station: 4 x TacoTherm Fresh 40

Order no.	Description
298.5100.002*	Cascade controller extension set including: <ul style="list-style-type: none"><li>▪ Zone valve</li><li>▪ Screw joint</li><li>▪ Reduction</li><li>▪ Flat seal</li></ul>

\* Only available in Germany

## SCOPE OF DELIVERY OF EXPANSION SET

