



A whole range of benefits
for every customer...

SIMPLY SMART: TACOFLOW3

No matter what the requirements are – the new Taconova TacoFlow3 pump range offers tailored solutions for every application and every customer group, providing real added value. The new TacoFlow3 circulation pumps simply give customers more options: higher performance, better energy efficiency and greater flexibility.

Installers ...

benefit from simpler and faster installation than ever before. Everything you need to complete a job in one go is included in the selected product eliminating the need for return visits. The new all-in-one solution is suitable for almost every application, so having it with you is simply the smart choice.

Wholesale partners ...

benefit from a flexible product range for more pricing options, less complexity, fewer complaints and (depending on the product selected) reduced stockholding requirements.

OEM customers ...

keep their development effort to a minimum and simplify the complexity of their supply chain with versatile, modular solutions designed for seamless integration.

TacoFlow3 circulation pumps THE LATEST GENERATION

There is simply more in it for everyone: the pumps in the TacoFlow3 series combine all the advantages of the previous TacoFlow2 series, while also offering **a smarter solution**: even more efficient performance in a more compact unit.

TacoFlow3 is simply smart: as a further development of the trusty TacoFlow2 series, TacoFlow3 – powered by the innovative **ECM motor from Taco** – delivers enhanced performance with **up to 8.5 meter of pump head**. From entry-level to high-end models, the latest generation of pumps stands out with its **exceptional compactness** and **intuitive user interface**.

Thanks to two different connection options, TacoFlow3 pumps can be integrated into almost any installation situation.

Sophisticated features ensure reliable, long lasting operation: every TacoFlow3 pump is equipped with high quality **protection against rotor jamming** and **overheating** as standard. Even under difficult conditions such as contaminated water or a low water level (**dry start**), TacoFlow3 pumps exhibit **smooth operation**. **Self-lubricating bearings, dirt-repellent filtering** and **integral electronics for restarting** in the event of thermal overload, coupled with an **automatic anti-blocking function** – all this helps to ensure a safe start to the heating season with a reliable heat supply.

THE ADVANTAGES AT A GLANCE

- **Modular structure** makes it simple to select the best solution
- **A wide range of application options**
- **Specific control modes** depending on application



- **Dry start capability** thanks to self-lubricating bearings
- **Dirt-repellent**
- **Overheating protection** with automatic restart
- **Anti-blocking function**



- $EEl \leq 0.19$ @ 6.0 m
- $EEl \leq 0.20$ @ 8.5 m



- **Minimal installation space requirement**
- **Always fits** – no need to change the orientation
- **Compact plug** as an alternative to the angled plug



- **Extremely quiet operation**

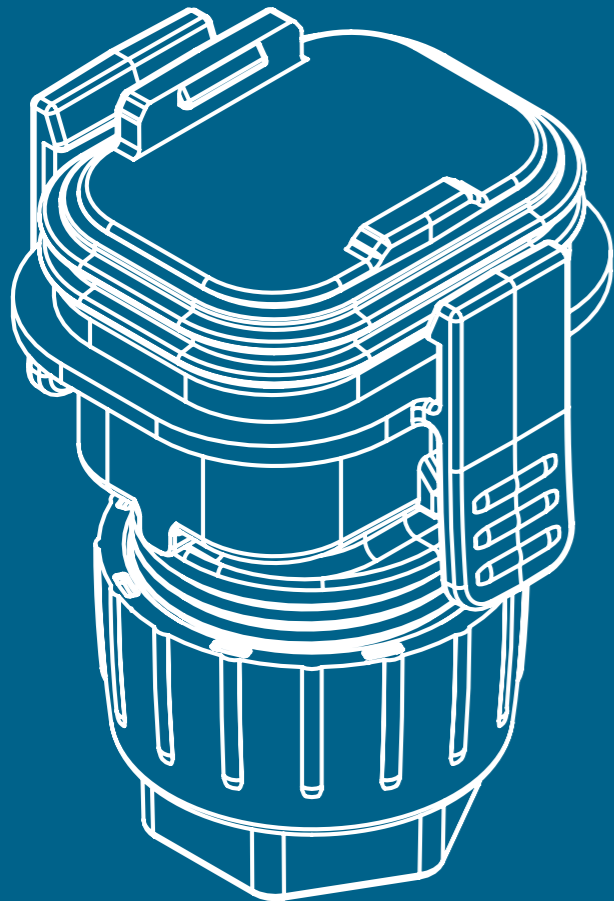


- **Detects air**
- **Status display** via coloured LEDs
- **Straightforward to connect**
- **Operating mode adjustable** via rotary selector



Two connection options
for greater flexibility

PLUG & PLAY

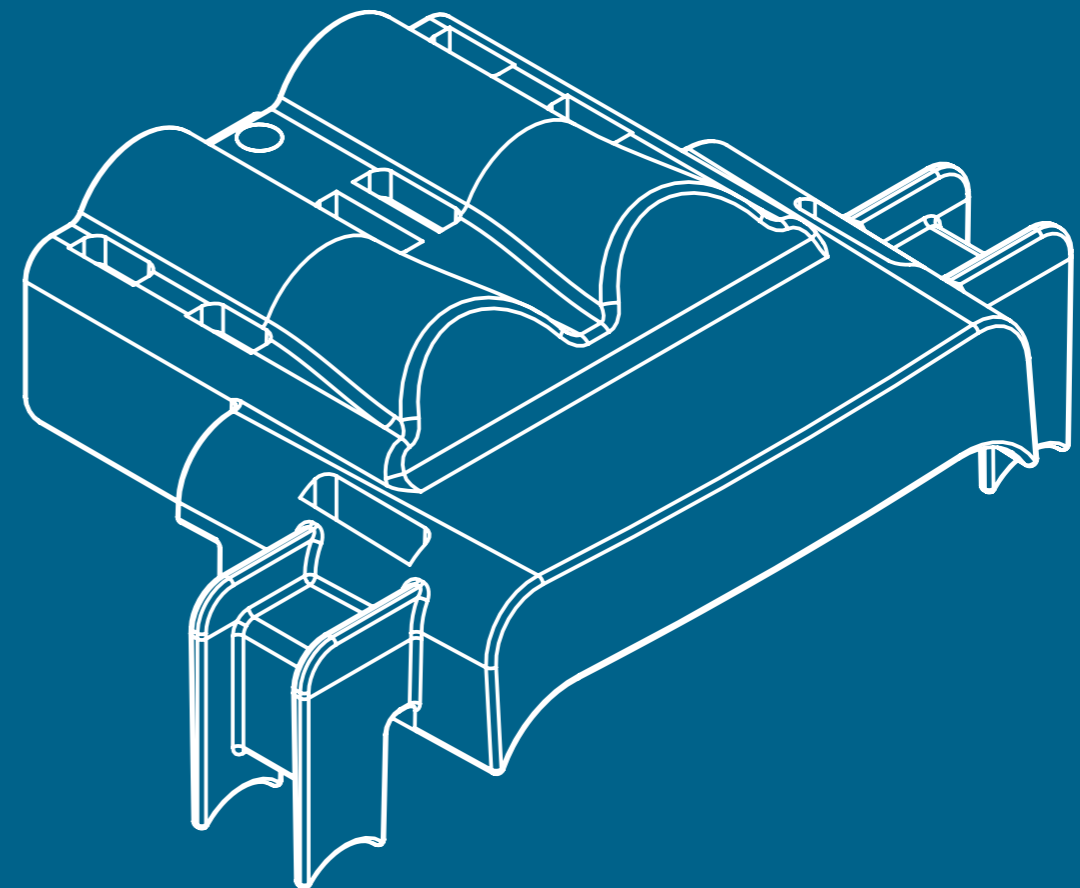


Tried and tested

The Plug & Play connection is the popular standard when it comes to commissioning, if the installer does not know the distance between the circulation pump and the power source in advance.

Just one click and this connection solution establishes a **seamless power connection**, minimising additional work and site visits.

TACOSMART PLUG



New

TacoSmart, the compact alternative to the standard right-angle plug, **is designed for minimal space usage**. For particularly fast commissioning and IP protection (IP class 44) in any installation position, TacoSmart offers a selection of **pre-assembled cable options**. Furthermore, **adaptor versions** for pre-installed main cables are available – making this the ideal solution when space and time are at a premium.

TACOFLOW3

THE LATEST GENERATION CIRCULATION PUMPS



TacoFlow3 (DUO)

Simply smart:
flexible essentials

TacoFlow3 for heating and TacoFlow3 DUO for solar/heating are the flexible entry-level models. With **three standard control modes** (constant speed, proportional pump head, constant pump head), two performance levels (6 m or 8.5 m pump head) and flexible installation options (Plug & Play or TacoSmart with pre-installed cable), the TacoFlow3 (DUO) offers versatile flexibility for all regular applications in heating systems.



TacoFlow3 (DUO) ADAPT

Simply smart:
flexible intelligence

The TacoFlow3 ADAPT (heating) and TacoFlow3 DUO ADAPT (solar/heating) circulation pumps are designed to detect **hydraulic changes in systems** with radiators or zone valves and **dynamically adjust the flow** to achieve a **comfortable temperature faster**, while also **saving energy**.



TacoFlow3 SURFACE

Simply smart:
for underfloor heating

With the third generation of Taco technology as the basis and additional intelligent features, this circulation pump model is the **ideal addition to hydronic balancing for underfloor heating** (e.g. TopMeter) as it reduces both noise and power consumption. The infinitely variable constant pressure control **enables balancing valves** to achieve the **optimal flow rate in the system with minimal pressure drop**.



TacoFlow3 PWM

Simply smart:
seamless integration

This model offers a package of different **PWM options**. Turning the knob on the TacoFlow3 PWM sets the appropriate maximum PWM curve or the appropriate PWM profile that matches the existing settings of the respective controller.



TacoFlow3 DUO HYBRID

Simply smart:
all-in-one Taco options

This circulator offers versatile control modes – **self-regulation with additional TacoAdapt™ intelligence, PWM** (heating/solar profiles) and constant speed – and effortlessly controls the flow in almost any hydronic system. Thanks to third-generation Taco technology, it can be **seamlessly integrated into various installations**, from radiators and underfloor heating systems to heat transfer stations and thermal solar systems with PWM control.

All the information in one

OVERVIEW

Available product variants

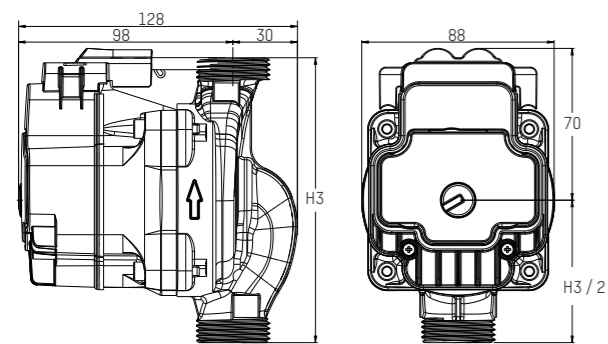
	(Standard)	ADAPT	SURFACE	PWM	HYBRID	LIN
TacoFlow3						
TacoFlow3 Duo						

: 95°C / 6 bar | : 110°C / 10 bar

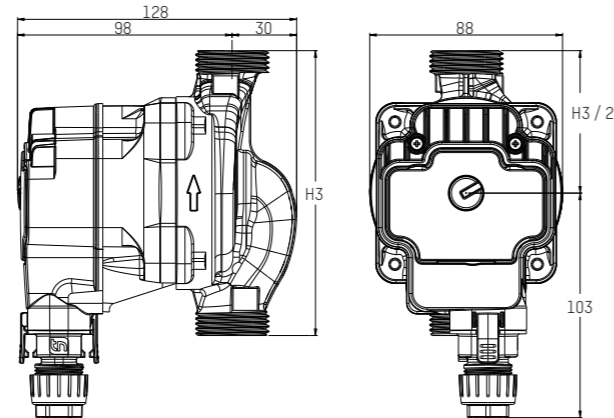
Dimensional drawings

Volute / pump body: Cast iron

Connection type: TacoSmart
Orientation: 12 o'clock

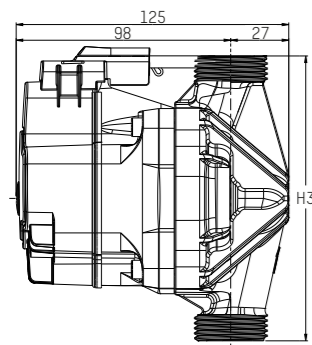


Connection type: Plug&Play
Orientation: 6 o'clock



Volute / pump body: Composite plastic

Connection type: TacoSmart
Orientation: 12 o'clock



Connection type: Plug&Play
Orientation: 6 o'clock

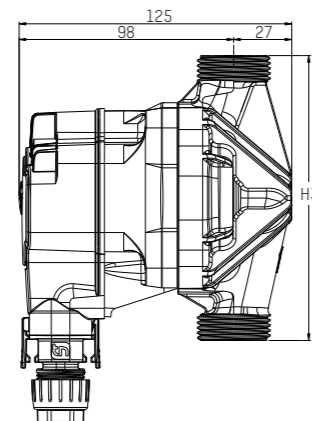
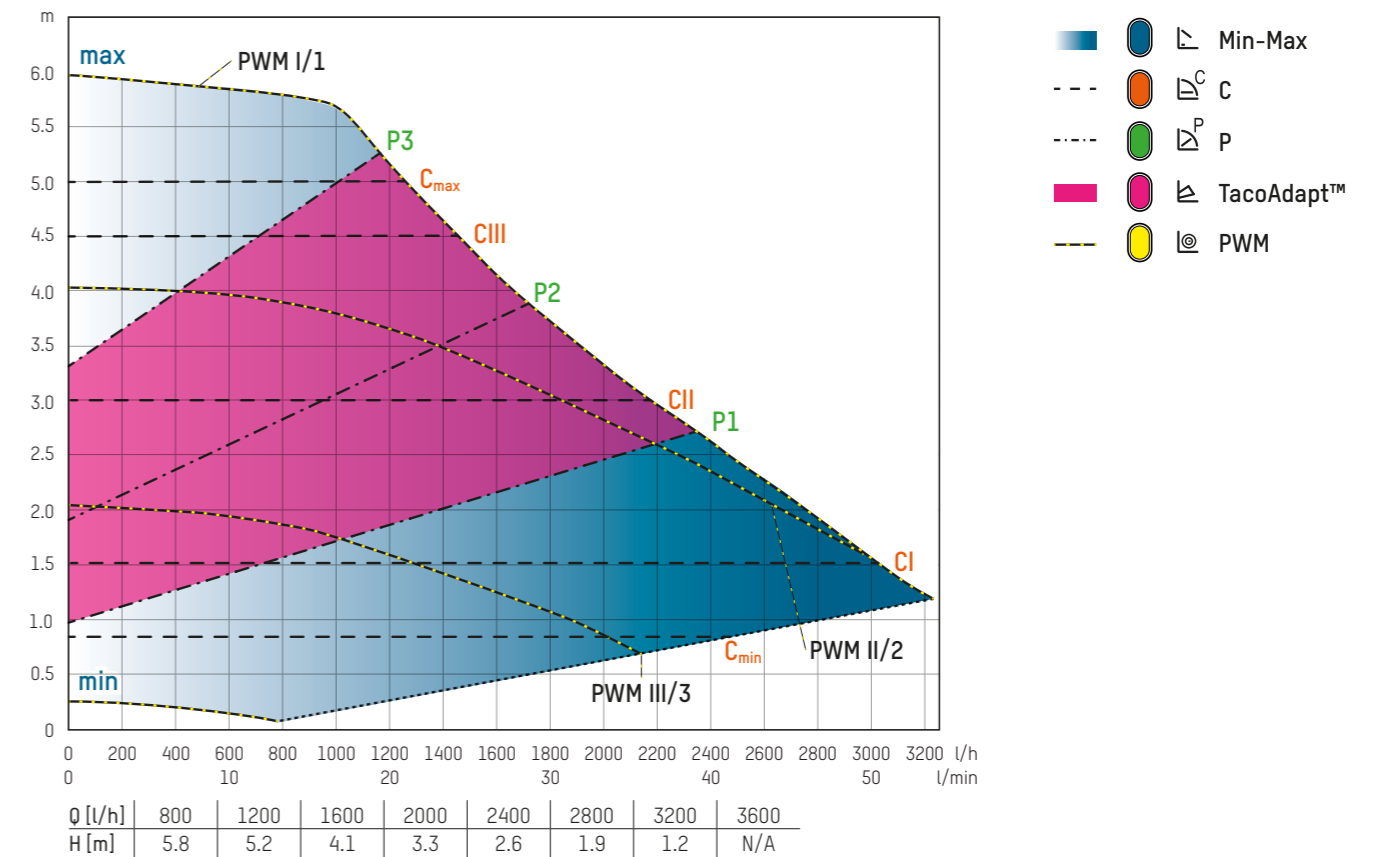


Table of measurements

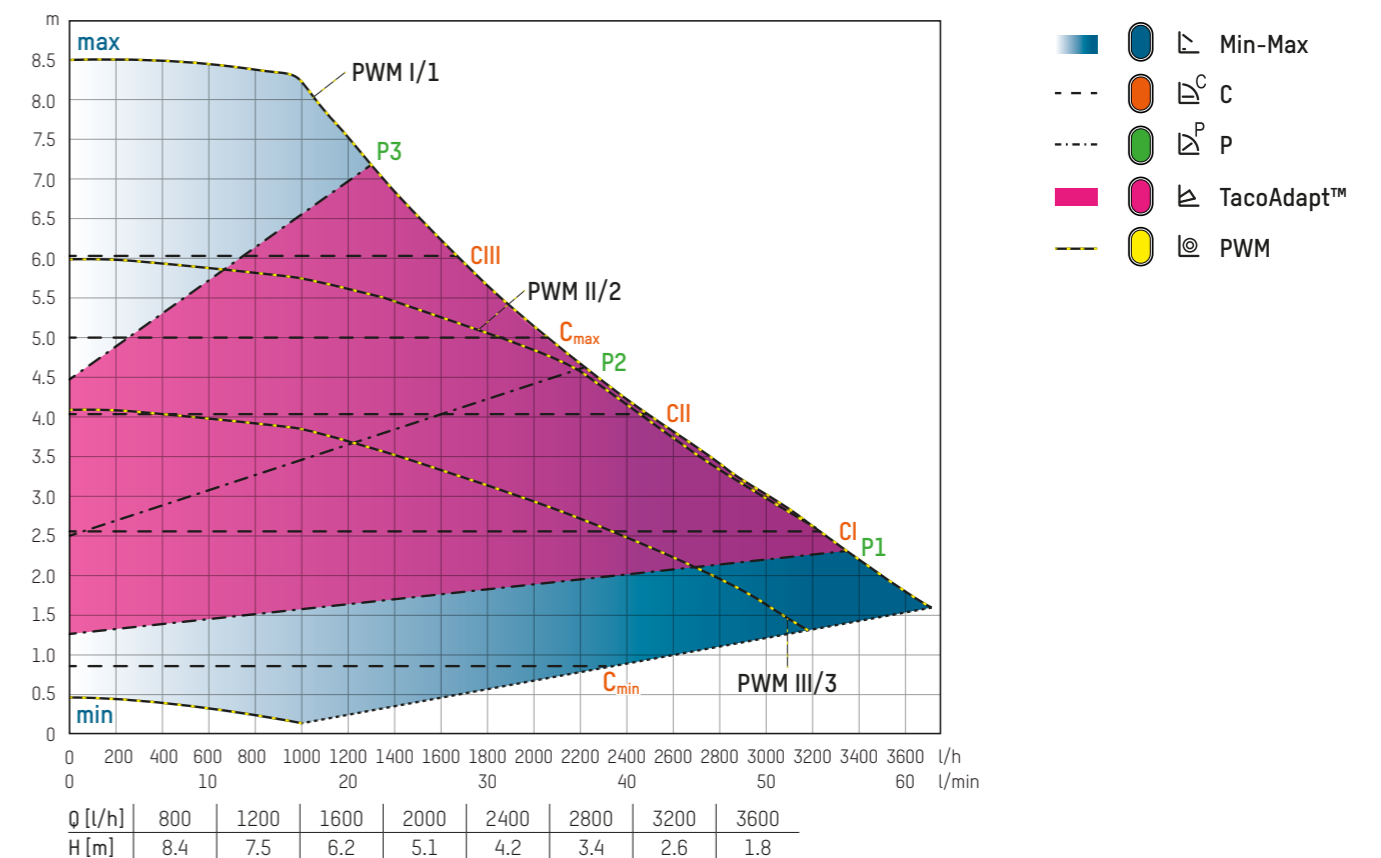
Volute connection	H3
DN15	130 mm
DN25	130 mm / 180 mm
DN32	180 mm

Performance diagrams

6.0 m (TacoFlow3 / TacoFlow3 DU0)



8.5 m (TacoFlow3 / TacoFlow3 DU0)



Simply all pumps in one

OVERVIEW



🔥 ☀️ TacoFlow3 Heating / ☀️ ☀️ TacoFlow3 DUO

Max. pump head	6.0 m / 8.5 m
Rated power consumption	6.0 m: min. 3 W - max. 44 W 8.5 m: min. 3 W - max. 63 W
Operating modes	<ul style="list-style-type: none"> 3 variable proportional pressure curves (P1/P2/P3) 3 Constant pressure curves (CI/CII/CIII) Min. to max. operating mode, set speed
Medium temperature / system pressure	Standard: +2 °C ... +95 °C (short term: 110 °C) / Max. 0,6 MPa - 6 bar DUO: +2 °C ... +110 °C (short term: 130 °C) / Max. 1,0 MPa - 10 bar
Pump body material	<ul style="list-style-type: none"> Cast iron (KTL-coated [EN-GJL-200]) PA66 GF30 composite plastic (not for DUO)



🔥 ☀️ TacoFlow3 ADAPT / ☀️ ☀️ ☀️ TacoFlow3 DUO ADAPT

Max. pump head	6.0 m / 8.5 m
Rated power consumption	6.0 m: min. 3 W - max. 44 W 8.5 m: min. 3 W - max. 63 W
Operating modes	<ul style="list-style-type: none"> TacoAdapt™ function 3 variable proportional pressure curves (P1/P2/P3) 3 constant pressure curves (CI/CII/CIII) Min. to max. operating mode, set speed
Medium temperature / system pressure	ADAPT: +2 °C ... +95 °C (short term: 110 °C) / Max. 0,6 MPa - 6 bar DUO ADAPT: +2 °C ... +110 °C (short term: 130 °C) / Max. 1,0 MPa - 10 bar
Pump body material	<ul style="list-style-type: none"> Cast iron (KTL-coated [EN-GJL-200]) PA66 GF30 composite plastic (not for DUO ADAPT)



🔥 TacoFlow3 SURFACE

Max. pump head	6.0 m / 8.5 m
Rated power consumption	6.0 m: min. 3 W - max. 44 W 8.5 m: min. 3 W - max. 63 W
Operating modes	<ul style="list-style-type: none"> C_{min} ... C_{max} operating mode Variable proportional pressure curve (P2) Max. operating mode, constant speed
Medium temperature / system pressure	+2 °C ... +95 °C (short term: 110 °C) / Max. 0,6 MPa - 6 bar
Pump body material	<ul style="list-style-type: none"> Cast iron (KTL-coated [EN-GJL-200]) PA66 GF30 composite plastic



🔥 TacoFlow3 PWM

Max. pump head	6.0 m / 8.5 m
Rated power consumption	6.0 m: min. 3 W - max. 44 W 8.5 m: min. 3 W - max. 63 W
Operating modes	<ul style="list-style-type: none"> "Heating" or "Solar" PWM profile Min. to max. operating mode, set speed
Medium temperature / system pressure	+2 °C ... +95 °C (short term: 110 °C) / Max. 0,6 MPa - 6 bar
Pump body material	<ul style="list-style-type: none"> Cast iron (KTL-coated [EN-GJL-200]) PA66 GF30 composite plastic



🔥 ☀️ TacoFlow3 DUO HYBRID

Max. pump head	6.0 m / 8.5 m
Rated power consumption	6.0 m: min. 3 W - max. 44 W 8.5 m: min. 3 W - max. 63 W
Operating modes	<ul style="list-style-type: none"> TacoAdapt™ function "Heating" or "Solar" PWM profile Variable proportional pressure curve (P2) 3 constant pressure curves (CI/CII/CIII) Min. to max. operating mode, set speed
Medium temperature / system pressure	+2 °C ... +110 °C (short term: 130 °C) / Max. 1,0 MPa - 10 bar
Pump body material	<ul style="list-style-type: none"> Cast iron (KTL-coated [EN-GJL-200])



🔥 ☀️ TacoFlow2 eLink



Max. pump head	6.0 m
Rated power consumption	Min. 3 W, max. 56 W
Operating modes	<ul style="list-style-type: none"> eLink function TacoAdapt™ function 2 variable proportional pressure curves (P1/P2) 2 constant pressure curves (CI, CII) Min. to max. operating mode, set speed
Medium temperature / system pressure	+2 °C ... +110 °C / Max. 10 bar
Pump body material	Cast iron KTL-coated
Installation length and connection	130 mm G 1", 130 mm G 1½", 180 mm G 1½", 180 mm G 2"



🔥 ☀️ ❄️ TacoFlow3 MAX

Max. pump head	6.0 m / 8.0 m / 10.0 m
Rated power consumption	Min. 16 W, max. 180 W
Operating modes	<ul style="list-style-type: none"> TacoAdapt™ function 2 variable proportional pressure curves (P1/P2) 2 constant pressure curves (CI/CII) Min. to max. operating mode, set speed PWM / 0-10 V control signal
Medium temperature / system pressure	-10 °C ... +110 °C / Max. 10 bar
Pump body material	Cast iron KTL-coated
Installation length and connection	180 mm G 1½", 180 mm G 2"



🔥 ☀️ ❄️ TacoFlow3 MAX PRO

Max. pump head	6.0 m / 8.0 m / 10.0 m
Rated power consumption	Min. 16 W, max. 180 W
Operating modes	<ul style="list-style-type: none"> TacoAdapt™ function 5 variable proportional pressure curves (P1-P5) 5 constant pressure curves (CI - CV) Night setback function Min. to max. operating mode, set speed PWM / 0-10 V control signal
Medium temperature / system pressure	-10 °C ... +110 °C / Max. 10 bar
Pump body material	Cast iron KTL-coated
Installation length and connection	180 mm G 1½", 180 mm G 2"



💧 TacoFlow2 PURE C

Max. pump head	4.0 m
Rated power consumption	Min. 4.3 W, max. 40 W
Operating mode	Min. to max. operating mode, set speed
Medium temperature / system pressure	+2 °C ... +95 °C / Max. 10 bar
Pump body material	Composite plastic
Installation length and connection	130 mm G ¾", 130 mm G 1"



💧 TacoFlow2 PURE (Plus)

Max. pump head	1.4 m
Rated power consumption	Min. 2.5 W, max. 7 W
Operating mode	3 fixed speeds
Medium temperature / system pressure	+5 °C ... +65 °C / Max. 10 bar
Pump body material	Brass
Installation length and connection	80 mm Rp ½"
Plus version	Timer, temperature sensor, LCD screen

Curiosity, tradition and passion: THE PERFECT COMBINATION

Driven by a spirit of innovation, a love of experimentation and the tireless pursuit of perfection, Taco has been setting standards in modern building technology for over a century.

As one of the leading manufacturers, Taco develops and produces hydraulic solutions for heating, sanitary and solar energy applications in residential and commercial properties.

From its European headquarters in Zurich and numerous international locations, Taco Europe supplies customised, innovative solutions for hydronic balancing, valves and accessories, area heating, system and pump technology. First-class service and dedicated customer service complement the comprehensive range and make planning and installation particularly convenient.

As a subsidiary of the renowned Taco Family of Companies based in Cranston, Rhode Island (USA), we combine the strength of a multinational organisation with Swiss precision and Italian passion for pioneering technologies. With locations in Switzerland, Germany, Italy, the Czech Republic, Poland and the UK, we consolidate our expertise in the development and production of smart solutions for building technology that satisfy high standards in terms of performance and sustainability.



Trust

IS THE GREATEST ENDORSEMENT...

...especially when it's earned countless times.

As a member of the Taco family, we are proud of our list of prestigious OEM customers. Millions of circulation pumps have been produced by Taco and are in use worldwide. This is what motivates us, time and again, to further optimise high quality solutions with extraordinary ideas.

Taconova's sister company Taco Italia presented the first high efficiency circulators for wall mounted gas boilers in the 1990s and holds a large number of patents in the field of pump technology.

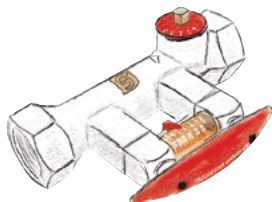
This pump technology – innovative, yet tried and tested – was developed by Taco Italia and refined time and again.

The focus, right from the start, was on energy savings, high performance, compact design, absolute reliability and dynamic adaptability. Building on the OEM range, Taconova launched the TacoFlow2 circulation pump range for wholesalers and installers in 2019.

Even back then, the circulation pumps were among the smallest and most compact on the market.



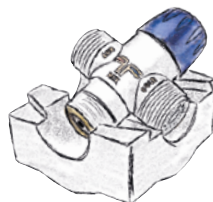
With the new TacoFlow3 generation, we are setting another milestone in circulation pump technology – because with its increased compactness, intelligence and efficiency, it is SIMPLY SMART – for contractors, retailers and OEM customers alike.



HYDRONIC BALANCING

Increased energy efficiency

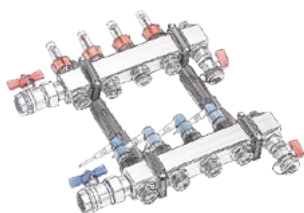
Heat distribution for any system, matched to demand.



VALVES AND ACCESSORIES

Compact aids

For safety, greater effectiveness and convenience.



AREA HEATING SYSTEMS

Perfect interaction

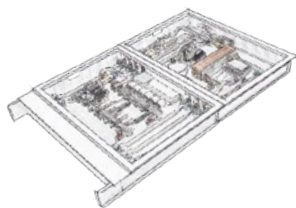
For a pleasant, individual room climate.



PUMP TECHNOLOGY

Upwardly efficient

For low operating costs and greater energy efficiency.



SYSTEM TECHNOLOGY

Intelligent units

For reliable operation, reduced maintenance and optimised energy costs.



Follow us on 

TACONOVA.COM

Further information

Find the latest news, product information, animations, datasheets and much more on taconova.com