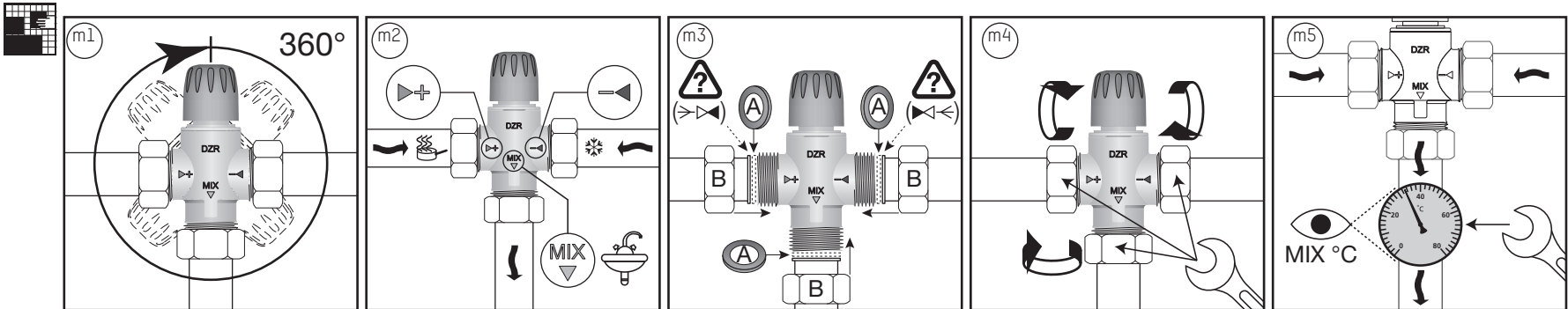
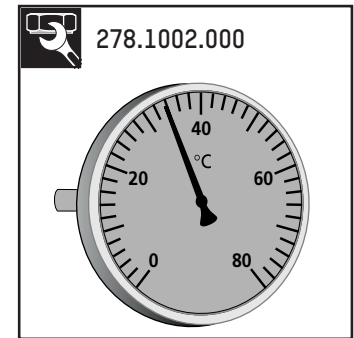
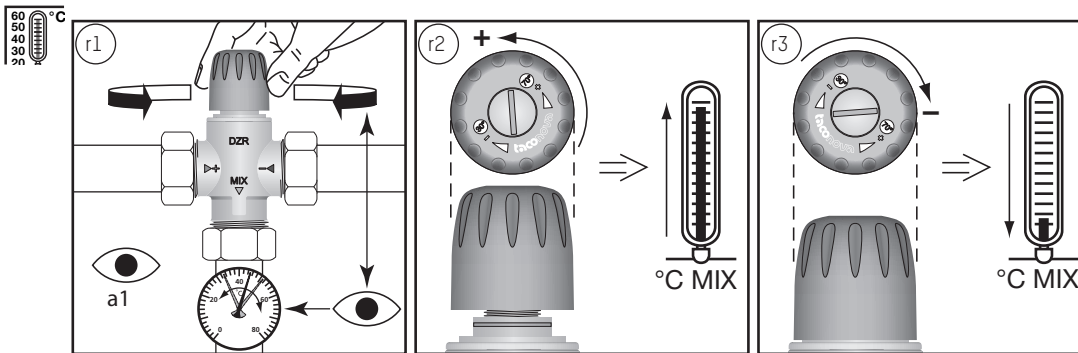
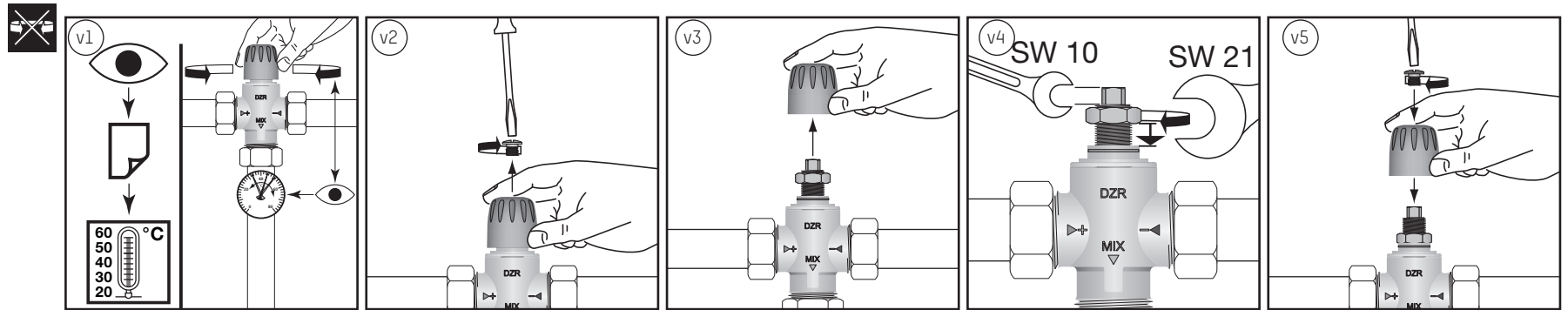


DN	3 x 6	SW	
15	3 x 1"	10	21
20	3 x 1"	10	21
25	3 x 1 1/4"	10	21



MT 52	TB	PB	°C
252.6003.____	100°C	10 bar	
252.6004.____	100°C	10 bar	
252.6023.____	80°C	10 bar	
252.6024.____	80°C	10 bar	
252.6034.107	90°C	10 bar	
252.6043.104	100°C	10 bar	





NovaMix Standard
1" | DN 15 / DN 20

- 298.5262.000** (30 – 70°C)
– 252.6003.104
– 252.6003.330
– 252.6043.104
- 298.5263.000** (20 – 40°C)
– 252.6023.104
- 298.5264.109** (30 – 70°C SD)
– 252.6003.107

296.5203.003
2x $\Rightarrow \blacktriangleleft$

210.5331.004
3x G1"– Cu ø18

210.5332.008 (DZR)
3x G1"– Cu ø22

210.6631.004
3x G1"– R $\frac{1}{2}$ "

210.6632.004
3x G1"– R $\frac{3}{4}$ "

NovaMix Standard
1 1/4" | DN 25

- 298.5262.000** (30 – 70°C)
– 252.6004.104
- 298.5263.000** (20 – 40°C)
– 252.6024.104
- 298.5264.109** (30 – 70°C SD)
– 252.6004.107

296.5204.003
2x $\Rightarrow \blacktriangleleft$

210.5333.004
3x G1 1/4"– Cu ø22

210.5334.004
3x G1 1/4"– Cu ø28

210.6633.004
3x G1 1/4"– R1"

NovaMix High Capacity
1 1/4" | DN 25

- 298.5268.000** (20 – 70°C HC)
– 252.6034.107

296.5205.003 (incl. $\Rightarrow \blacktriangleleft$)
2x G1 1/4"– R1"

210.5333.004
3x G1 1/4"– Cu ø22

210.5334.004
3x G1 1/4"– Cu ø28

210.6633.004
3x G1 1/4"– R1"