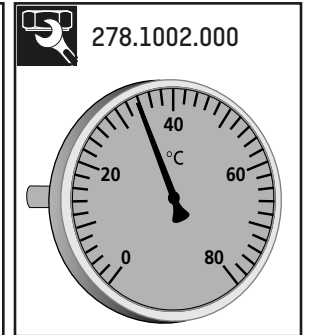
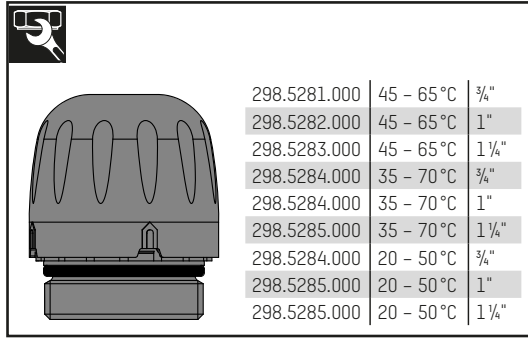
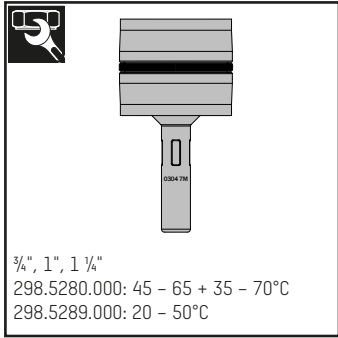


	↕	D mm
3/4"	-	76
1"	-	77
1 1/4"	-	77
3/4"	✓	81
1"	✓	82
1 1/4"	✓	82





Version 45-65°C (EN 15092)	Version 35-70°C	Version 20-50°C	TB	PB	DN	G	
253.1002.____	253.2002.____	253.3002.____	100°C	10 bar	15	¾"	-
253.1003.____	253.2003.____	253.3003.____	100°C	10 bar	20	1"	-
253.1004.____	253.2004.____	253.3004.____	100°C	10 bar	25	1 ¼"	-
253.1102.____	253.2102.____	253.3102.____	90°C	10 bar	15	¾"	✓
253.1103.____	253.2103.____	253.3103.____	90°C	10 bar	20	1"	✓
253.1104.____	253.2104.____	253.3104.____	90°C	10 bar	25	1 ¼"	✓

