
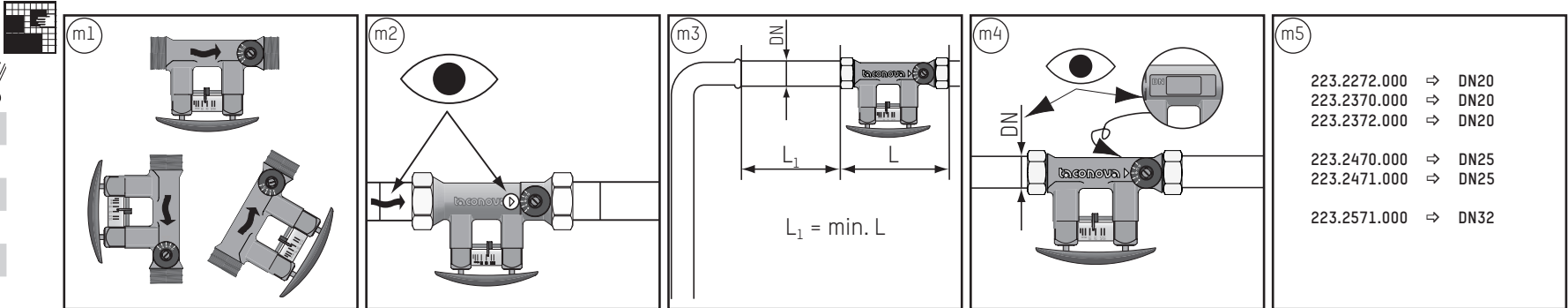



DN	G x G	L (mm)	
20	1" x 1"	129	7
25	1 1/4" x 1 1/4"	152	8
32	1 1/2" x 1 1/2"	161	8
	1 1/4" x 1 1/4"	161	8
	1 1/2" x 1 1/2"	173	12
50	2" x 2"	197	12



223.2272.000	↔	DN20
223.2370.000	↔	DN20
223.2372.000	↔	DN20
223.2470.000	↔	DN25
223.2471.000	↔	DN25
223.2571.000	↔	DN32

TB	100°C	
PB	10 bar	