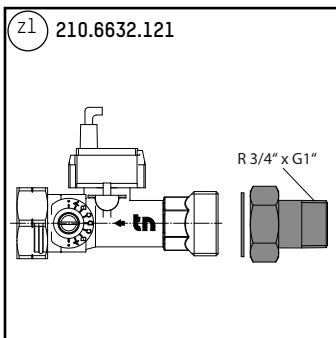
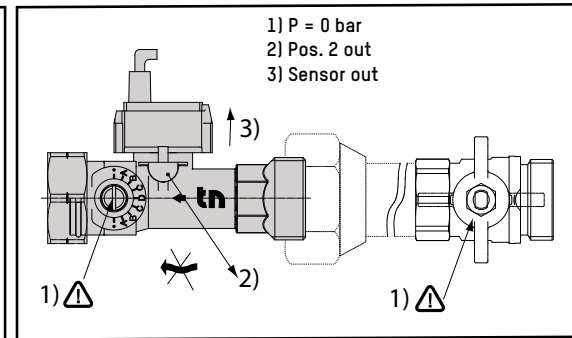
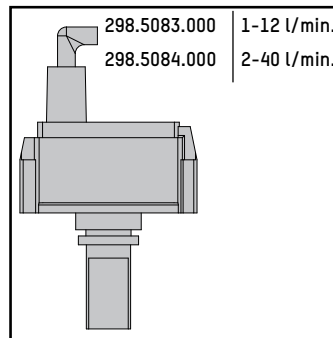


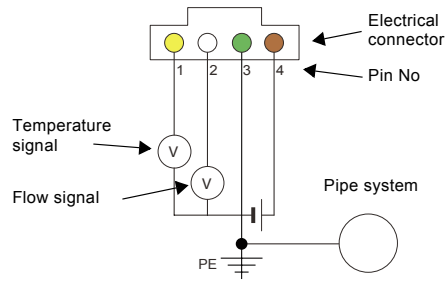
DN	G	L (mm)	
20	1"	96	$\frac{24}{37}$



TB	120°C	
Messtemperatur Measuring temperature Température de mesure	0 - 100°C	
PB	8 bar	



Electrical connections

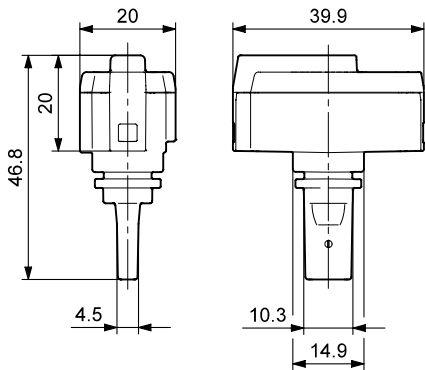


Pin configuration	Colour
1 Temperature signal (0.5 to 3.5 V relative to pin 3)	Yellow
2 Flow signal (0.5 to 3.5 V relative to pin 3)	White
3 GND (0 V)	Green
4 Power supply (+5 VDC), PELV	Brown

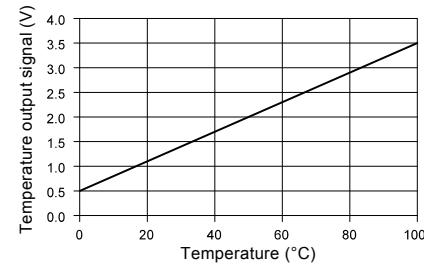
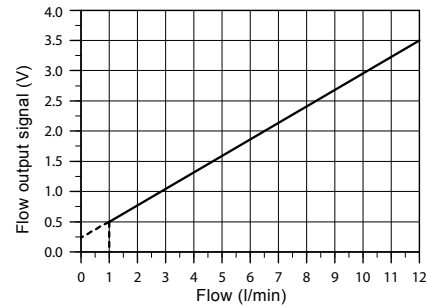
Power supply requirements

- 5 VDC
- separated from hazardous live circuitry by double or reinforced insulation
- power limitation: 150 VA; current limitation: 8 A.

Dimensions (in mm)



Sensor output signals 1 - 12 l/min.



Sensor output signals 2 - 40 l/min.

