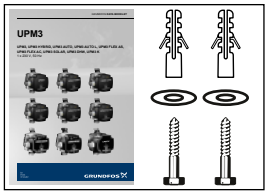


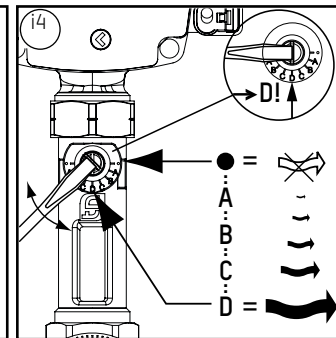
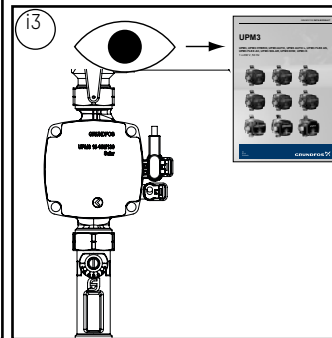
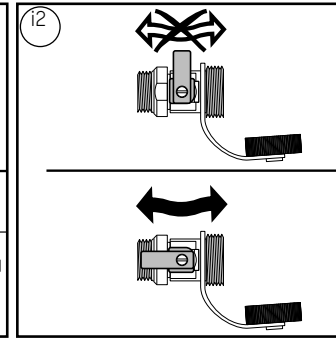
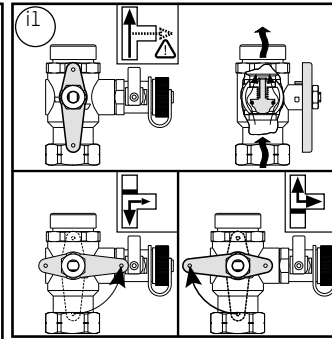
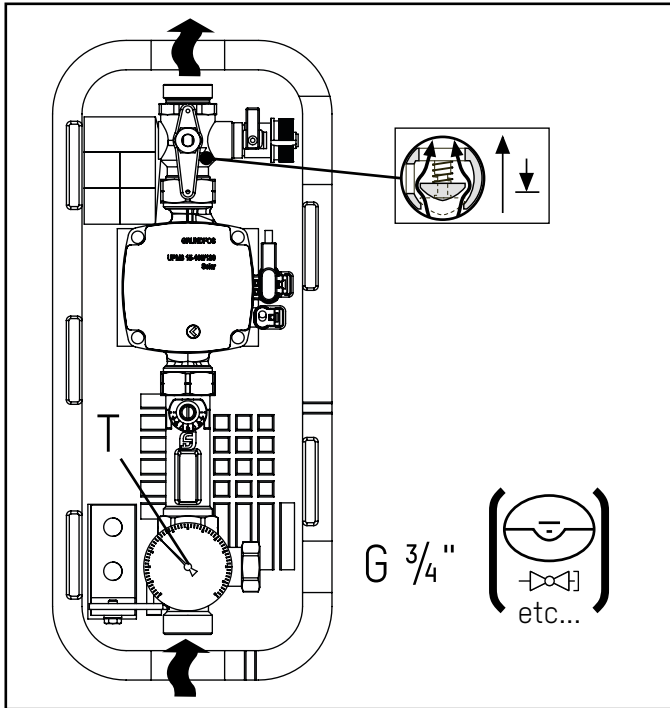
+



TB	110°C*	
PB	8 bar	

* → Pump instructions

i



!

