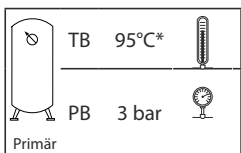
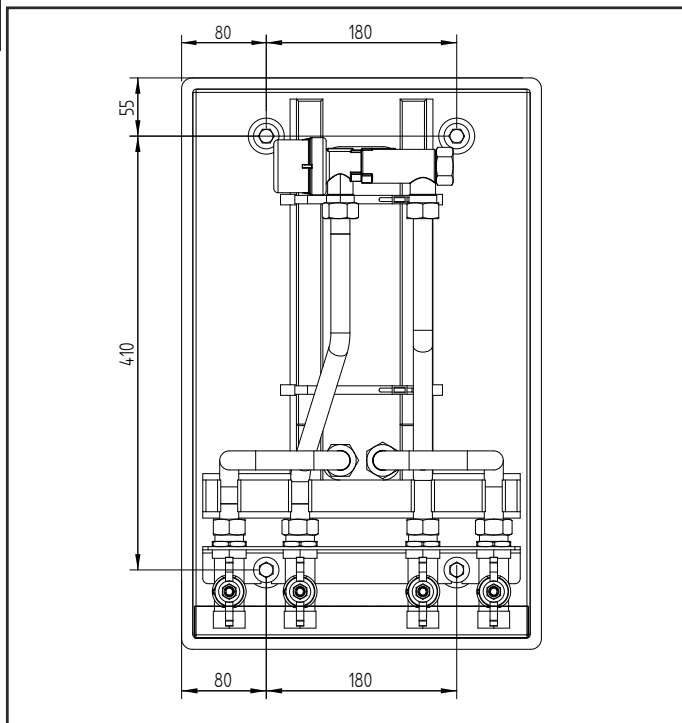
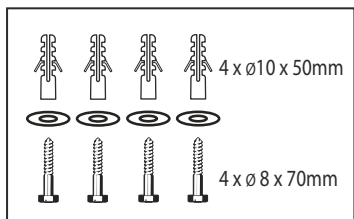


+



* → Data sheet

